

Automatic Transfer Switch Equipment

L2Rxx-220/2



- PC-Class change-over switch
- Dual power supply design: power supply I (main) and power supply II (standby)
- Supports AC systems with a rated current of 6A to 32A
- Automatic switching within 100 milliseconds
- Compliance: IEC 60947-6-1

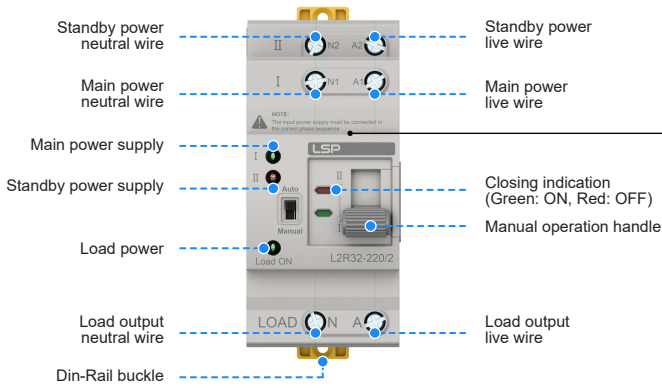
The L2R Automatic Transfer Switch Equipment (ATSE) is a PC-Class, infrequent change-over switch featuring a dual power supply design: power supply (I) as the main power and power supply (II) as the standby power. It supports AC systems with a rated current of 6 A to 32 A and a frequency range of 50/60 Hz. The ATSE automatically transfers to the standby power (II) when the main power (I) fails, with a switching time less than 100 milliseconds, ensuring effective protection against power outage disruptions.

Technical Data

L2Rxx-220/2	L2R10-220/2	L2R20-220/2	L2R32-220/2
IEC Electrical			
Rated Operational Voltage (AC)	U_e	220 V	
Case Grade		32 A	
Rated Operational Current	I_e	10 A	32 A
Rated Insulation Voltage	U_i	690 V	
Rated Impulse Withstand Voltage	U_{imp}	8 kV	
Rated Short-Time Withstand Current	I_{cw}	3 kA / 30 ms	
Rated Frequency		50/60 Hz	
Automatic Switching Time		≤ 100 ms	
Pole Number		2P	
Usage Category		AC-31B	
Rated Conditional Short-Circuit Current	I_q	50 kA	
Short-Circuit Protection Device (Fuse)		RT16-00-32A	
Rated Impulse Withstand Voltage		8 kV	
TSE Class		PC-Class: Can Be Switched On and Loaded Without Generating Short-Circuit Current	
Control Circuit		Rated Control Voltage U_s : AC 230 V, 50/60 Hz Normal Working Conditions: 85% U_s -110% U_s	
Auxiliary Circuit		230 V, 50/60 Hz, $I_e = 5$ A	
Overvoltage / Undervoltage Protection Range		Undervoltage Value: 175 V Recovery Value: 195 V Overvoltage Value: 260 V Recovery Value: 240 V (±5 V)	
Mechanical Life		≥ 8000 Times	
Electrical Life		≥ 1500 Times	
Enclosure Material		PA66 FR	
Order Information			
Ordering Code			
L2Rxx-220/2	1002210	2002210	3202210

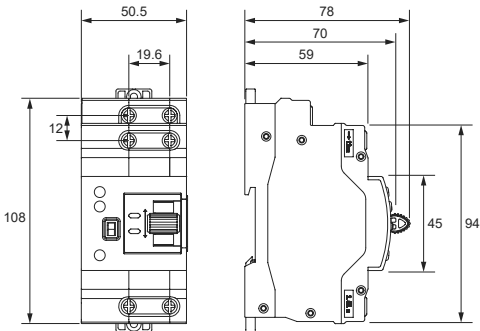


Product Overview



NOTE:
The input power supply must be connected in the correct phase sequence.

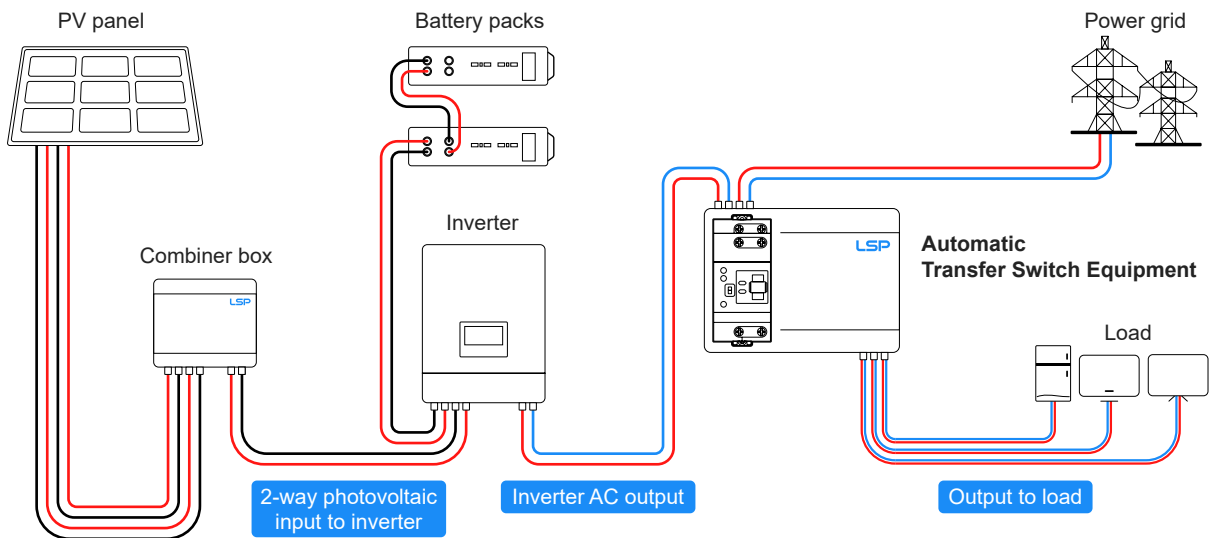
Dimensions & Packaging



[mm]

Packing Information	
Units per Carton	48 pcs
Product / Inner box / Carton Weight	0.355 kg / 0.04 kg / 0.49 kg
Net / Gross Weight per Carton	17.04 kg / 19.45 kg
Dimensions (H × W × L)	[275 × 265 × 470 mm]

Easy Installation Instructions



Automatic Transfer Switch Equipment

L2Rxx-220/4



- PC-Class change-over switch
- Dual power supply design: power supply I (main) and power supply II (standby)
- Supports AC systems with a rated current of 10 A to 32 A
- Automatic switching time 20 milliseconds
- Compliance: IEC 60947-6-1

The L2R Automatic Transfer Switch Equipment (ATSE) is a PC-Class, infrequently operated change-over switch designed with a dual power input: power supply (I) serves as the main source, while power supply (II) acts as the standby. It is applicable to AC systems with rated currents from 10 A to 32 A and operating frequencies of 50/60 Hz. Upon failure of the main power (I), the ATSE automatically transfers to the standby power (II) within 20 milliseconds, ensuring continuous power supply and reliable protection against outages.

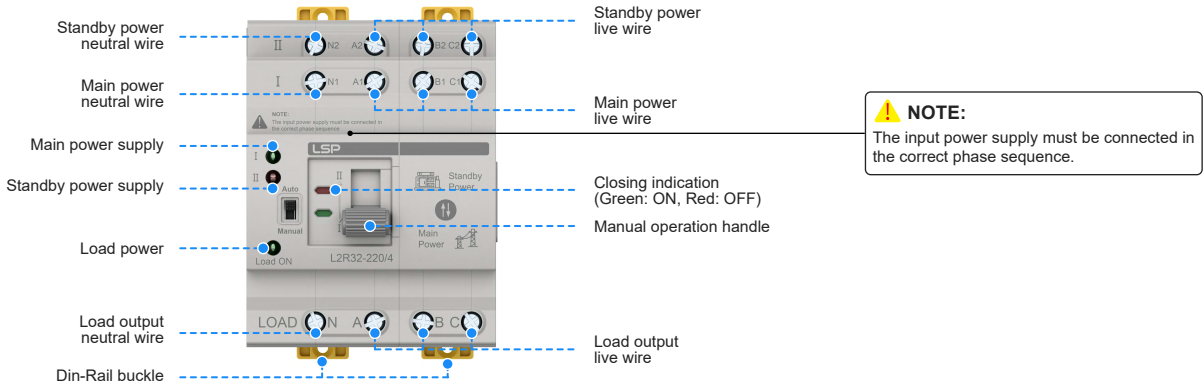
Technical Data

L2Rxx-220/4	L2R10-220/4	L2R20-220/4	L2R32-220/4
IEC Electrical			
Single-Phase Rated Voltage (phase-to-neutral) (AC)		220 V	
Rated Operational Voltage (phase-to-phase) (AC)	U _e	400 V	
Case Grade		32 A	
Rated Operational Current	I _e	10 A	32 A
Rated Insulation Voltage	U _i	690 V	
Rated Impulse Withstand Voltage	U _{imp}	8 kV	
Rated Short-Time Withstand Current	I _{cw}	3 kA / 30 ms	
Rated Frequency		50/60 Hz	
Automatic Switching Time		20 ms	
Pole Number		4P	
Usage Category		AC-31B	
Rated Conditional Short-Circuit Current	I _q	50 kA	
Short-Circuit Protection Device (Fuse)		RT16-00-32A	
Rated Impulse Withstand Voltage		8 kV	
TSE Class		PC-Class: Can Be Switched On and Loaded Without Generating Short-Circuit Current	
Control Circuit		Rated Control Voltage U _s : AC 230 V, 50/60 Hz Normal Working Conditions: 85% U _s -110% U _s	
Auxiliary Circuit		230 V, 50/60 Hz, I _e = 5 A	
Overvoltage / Undervoltage Protection Range		Undervoltage Value: 175 V Recovery Value: 195 V Overvoltage Value: 260 V Recovery Value: 240 V (±5 V)	
Mechanical Life		≥ 8000 Times	
Electrical Life		≥ 1500 Times	
Enclosure Material		PA66 FR	
Order Information			
Ordering Code			
L2Rxx-220/4	1002410	2002410	3202410

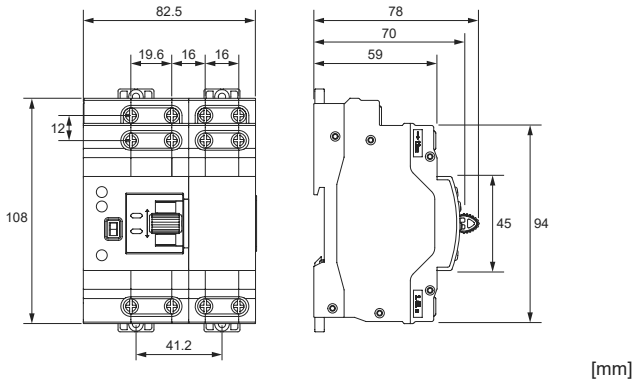


L2Rxx-220/4

Product Overview



Dimensions & Packaging



Packing Information	
Units per Carton	30 pcs
Product / Inner box / Carton Weight	0.54 kg / 0.05 kg / 0.49 kg
Net / Gross Weight per Carton	16.2 kg / 18.19 kg
Dimensions (H × W × L)	[275 × 265 × 470 mm]

Easy Installation Instructions

