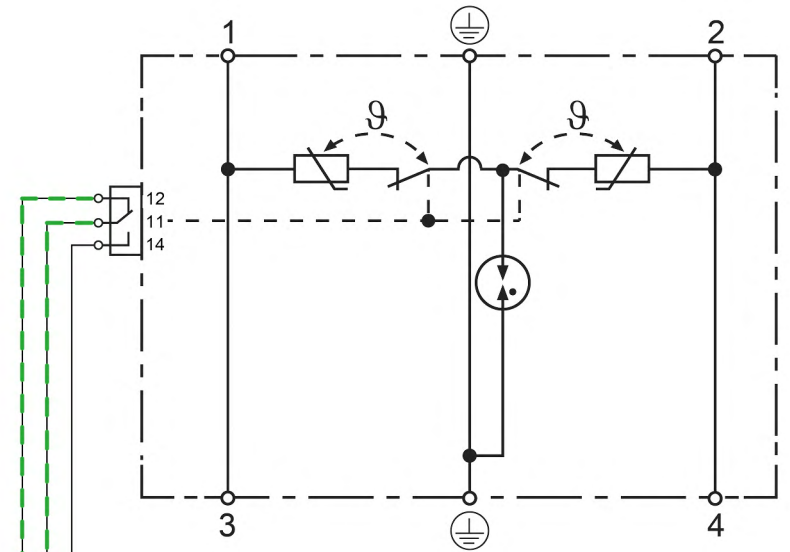
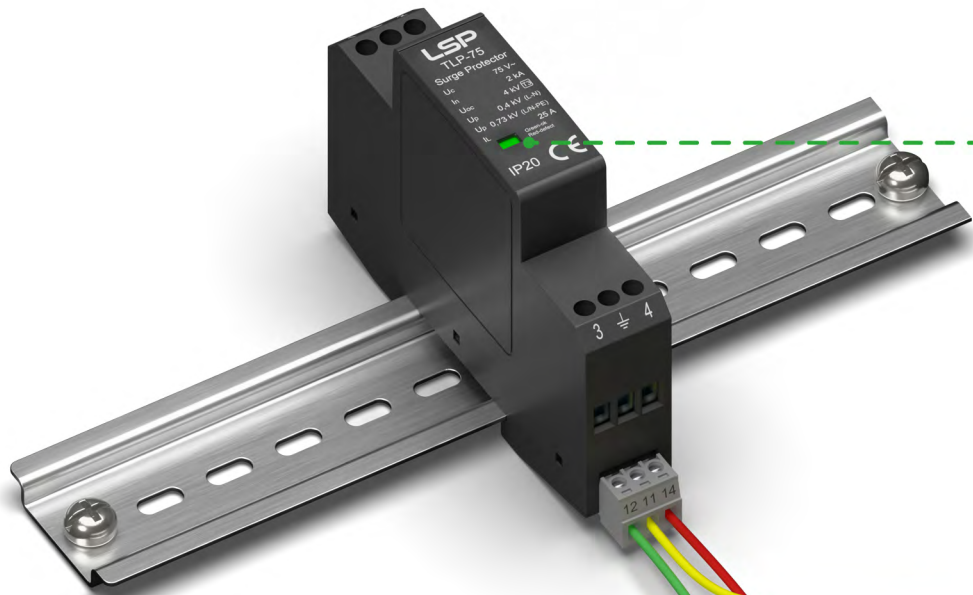


## Type 3 SPD TLP-75/2S

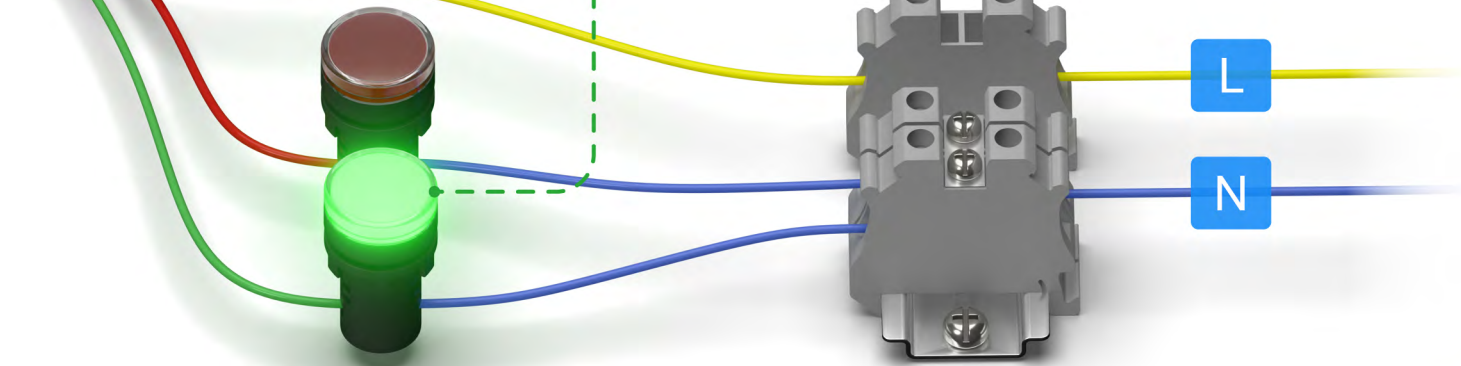
Maximum Continuous Operating Voltage (AC)	$U_c$	75 V
Nominal Discharge Current (8/20 $\mu$ s)	$I_n$	2 kA
Combination Wave	$U_{oc}$	4 kA
Voltage Protection Level (1/2-PE)	$U_p$	$\leq 730$ V

# Remote Signaling Terminal Normal Status

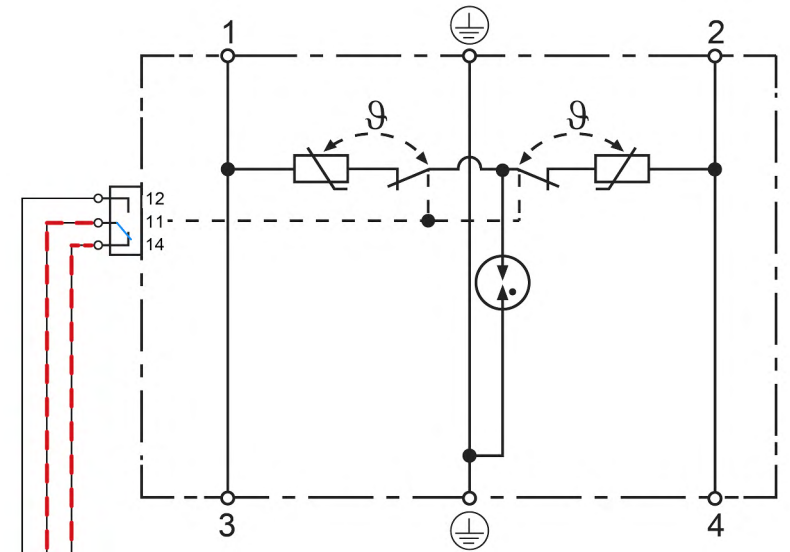
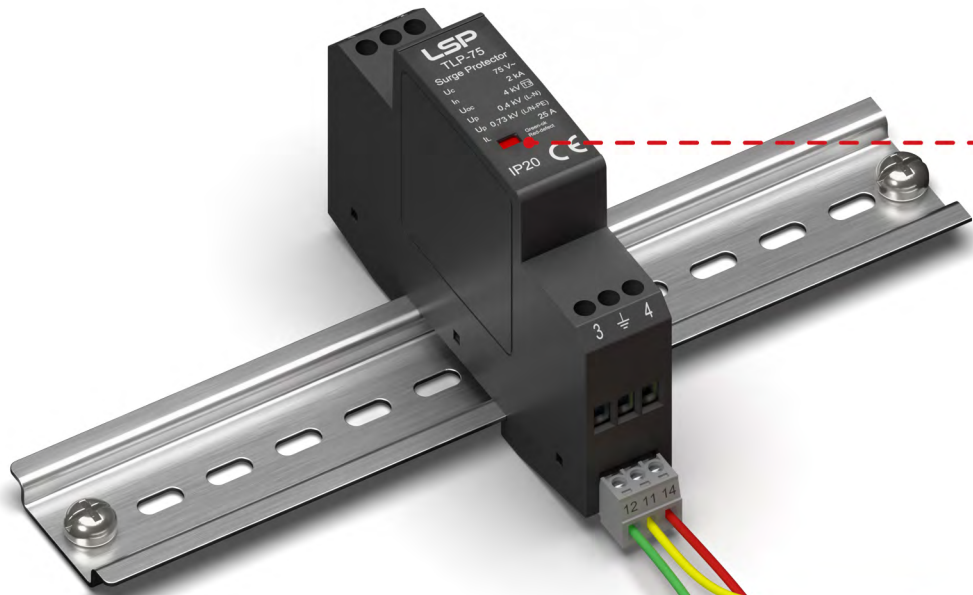


Power cable  
Connect red light  
Connect green light

Green: ok



# Remote Signaling Terminal Fault Status



Power cable  
Connect red light  
Connect green light

Red: defect

