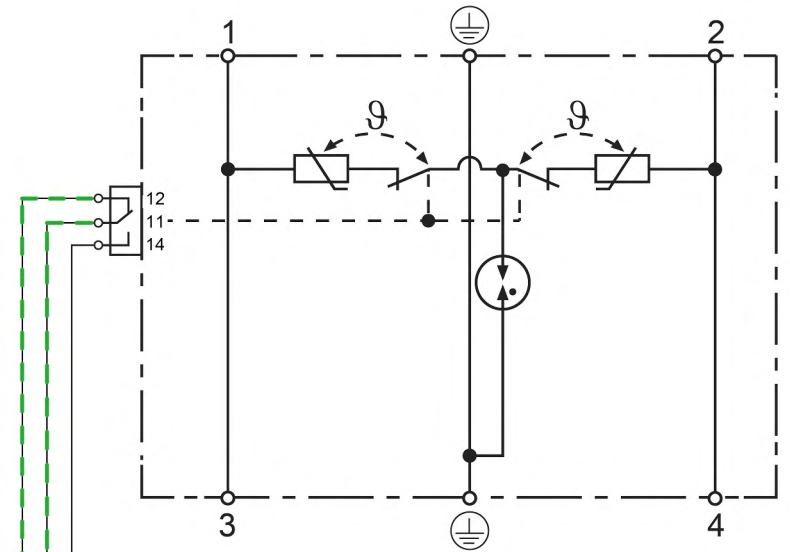
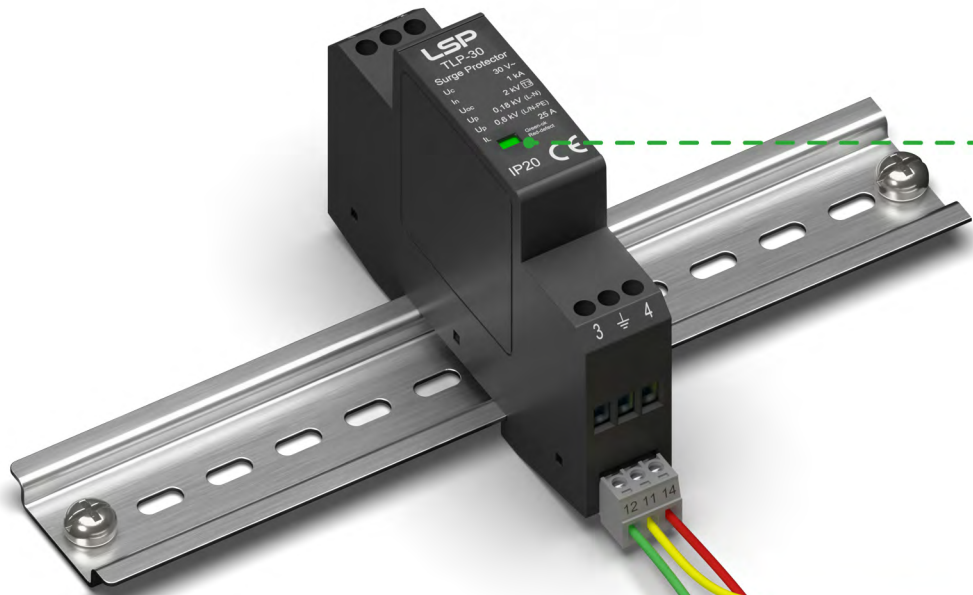


## Type 3 SPD TLP-30/2S

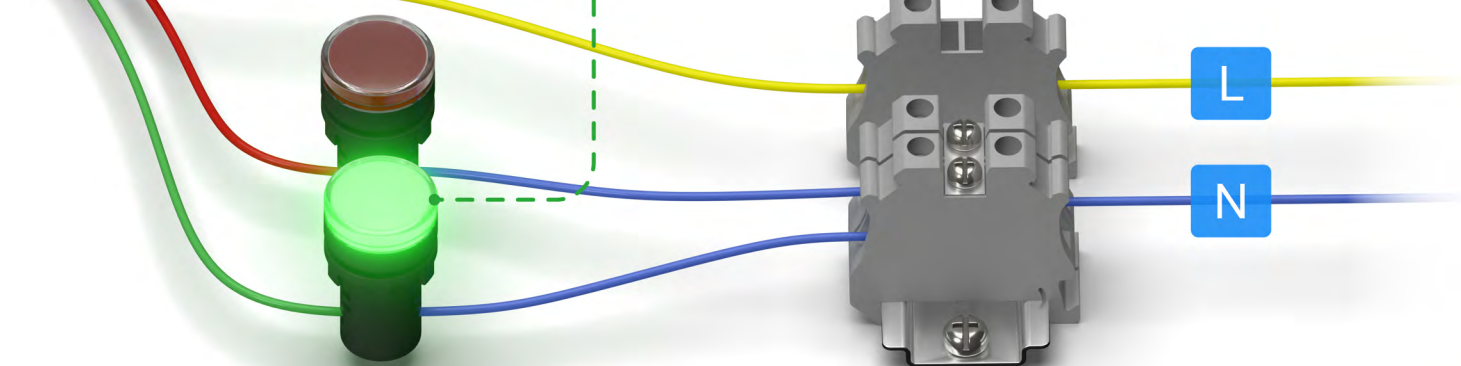
Maximum Continuous Operating Voltage (AC)	$U_c$	30 V
Nominal Discharge Current (8/20 $\mu$ s)	$I_n$	1 kA
Combination Wave	$U_{oc}$	2 kV
Voltage Protection Level (1/2-PE)	$U_p$	$\leq 600$ V

# Remote Signaling Terminal Normal Status

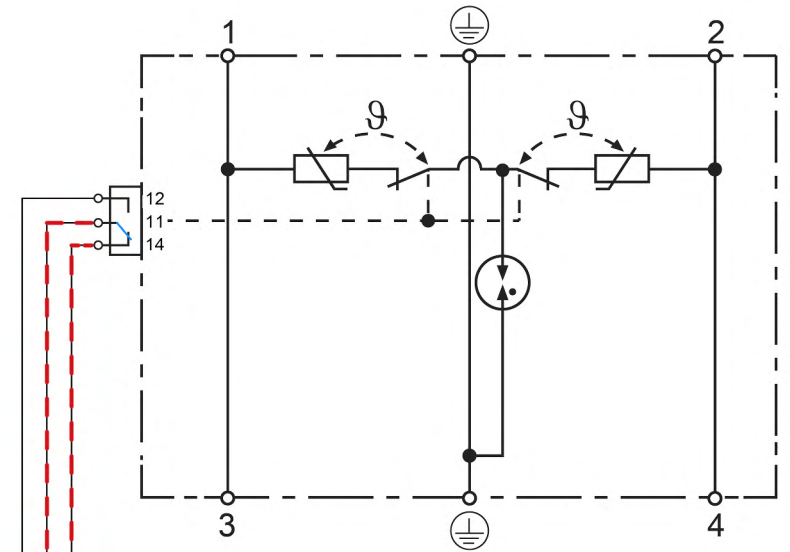
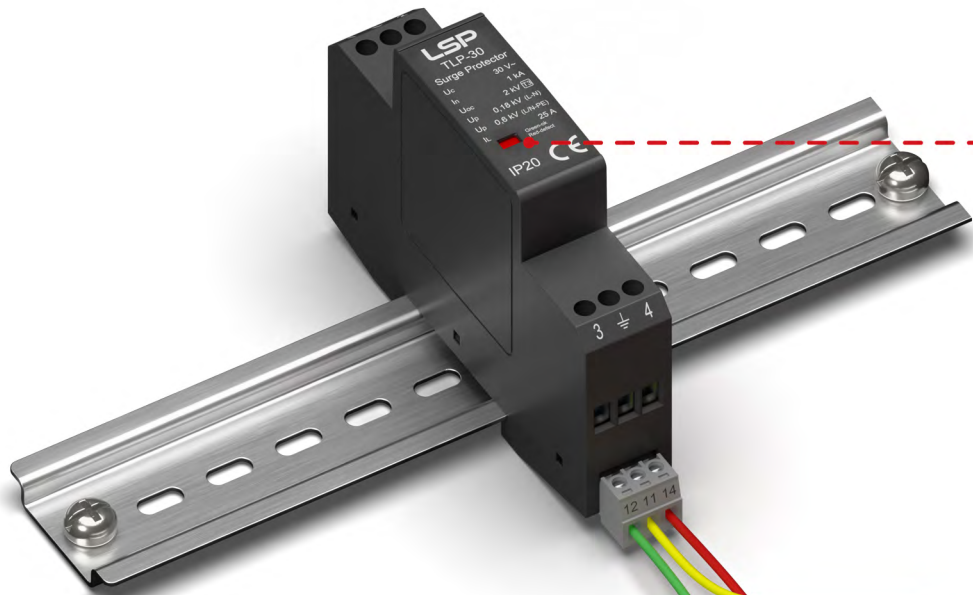


Power cable  
Connect red light  
Connect green light

Green: ok



# Remote Signaling Terminal Fault Status



Red: defect

