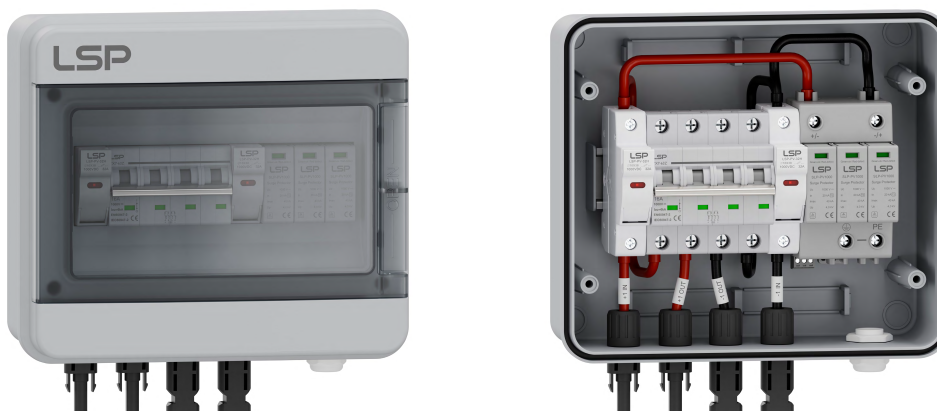


DC Combiner Box

SLP-1/1-1000V

1 String Input 1 String Output DC



Technical Data

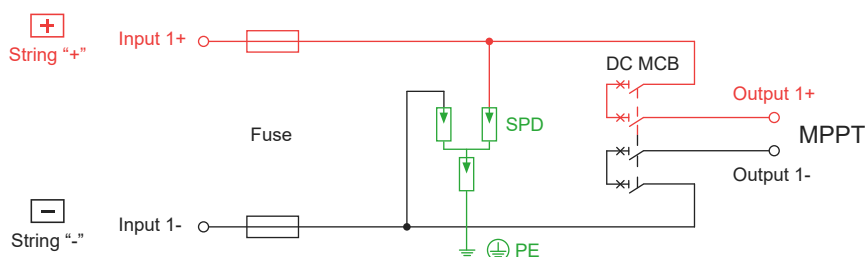
SLP-1/1-1000V

General Data

Model No.	SLP-1/1-1000 V	Maximum Current Output	16 A
Input	1 string	Operating Temperature	-20 °C to + 60 °C
Output	1 string	Humidity	5% to 95%
Maximum Voltage	1000 V	Altitude	2000 m
Max DC Short Circuit Current per Input (I_{sc})	16 A (Changeable)	Installation	Wall Mounting

Accessory Data

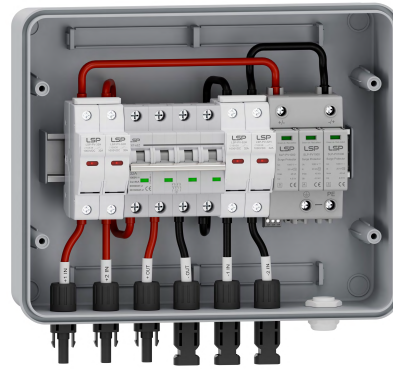
PV Surge Protector	SLP-PV1000/(S)	DC Fuse Holder	LFPV-1038H
Max. Operation Voltage (U_{cpv})	1000 V	Thermoplastic	Yes
Compliance	IEC/EN 61643-31	Rated Working Voltage	1000 V
Maximum Discharge Current	40 kA	Fuse Link	10 × 38 mm, 16 A
Certification	TUV CE	Certification	CE
DC Miniature Circuit Breaker	TX7-63Z	Enclosure	LWB-09
Rated Insulation Voltage (U_i)	1000 V	Material Type	Polycarbonate
Rated Current (I_e)	16 A	Degree of Protection	IP65
Category	DC-Breaker	Degree of Resistance to Impacts	IK10
Compliance	IEC 60947-2	Dimension (W x H x D)	226 × 200 × 110 mm
Certification	CE	Cable Input Entry	PG09 Cable Gland, 2.5-16 mm ²
		Output Cable Gland	PG21 2.5-16 mm ²



DC Combiner Box

SLP-2/1-1000V

2 String Input 1 String Output DC



Technical Data

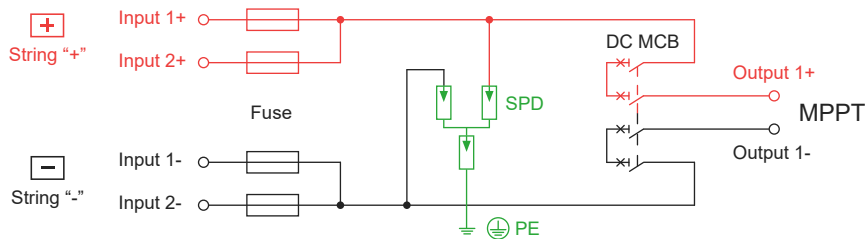
SLP-2/1-1000V

General Data

Model No.	SLP-2/1-1000 V	Maximum Current Output	32 A
Input	2 string	Operating Temperature	-20 °C to + 60 °C
Output	1 string	Humidity	5% to 95%
Maximum Voltage	1000 V	Altitude	2000 m
Max DC Short Circuit Current per Input (I_{sc})	16 A (Changeable)	Installation	Wall Mounting

Accessory Data

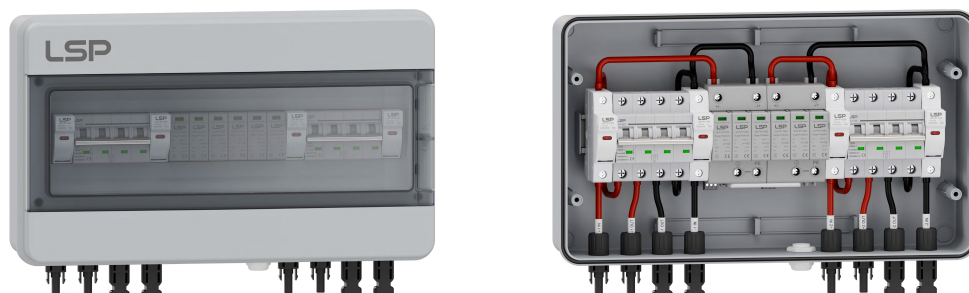
PV Surge Protector	SLP-PV1000/(S)	DC Fuse Holder	LFPV-1038H
Max. Operation Voltage (U_{cpv})	1000 V	Thermoplastic	Yes
Compliance	IEC/EN 61643-31	Rated Working Voltage	1000 V
Maximum Discharge Current	40 kA	Fuse Link	10 × 38 mm, 16 A
Certification	TUV CE	Certification	CE
DC Miniature Circuit Breaker	TX7-63Z	Enclosure	LWB-12
Rated Insulation Voltage (U_i)	1000 V	Material Type	Polycarbonate
Rated Current (I_e)	32 A	Degree of Protection	IP65
Category	DC-Breaker	Degree of Resistance to Impacts	IK10
Compliance	IEC 60947-2	Dimension (W x H x D)	280 × 230 × 120 mm
Certification	CE	Cable Input Entry	PG09 Cable Gland, 2.5-16 mm ²
		Output Cable Gland	PG21 2.5-16 mm ²



DC Combiner Box

SLP-2/2-1000V

2 String Input 2 String Output DC



Technical Data

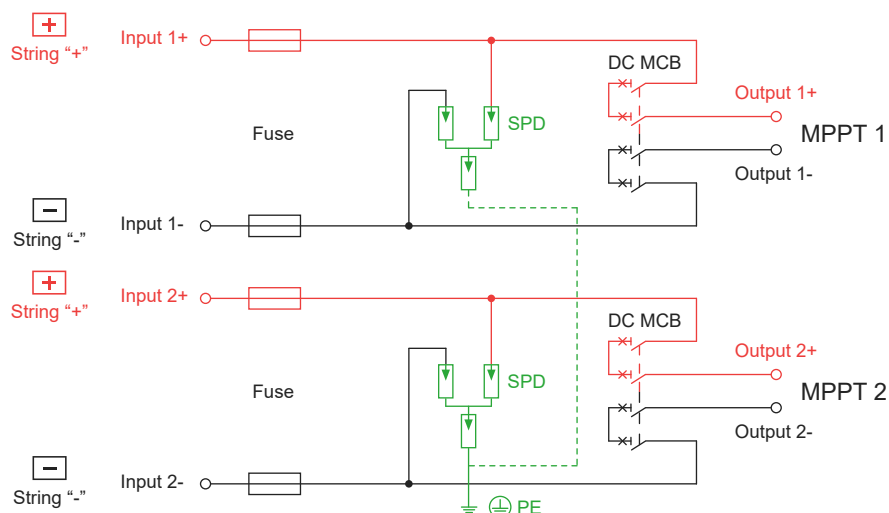
SLP-2/2-1000V

General Data

Model No.	SLP-2/2-1000V	Maximum Current Output	16 A
Input	2 string	Operating Temperature	-20 °C to + 60 °C
Output	2 string	Humidity	5% to 95%
Maximum Voltage	1000 V	Altitude	2000 m
Max DC Short Circuit Current per Input (I_{sc})	16 A (Changeable)	Installation	Wall Mounting

Accessory Data

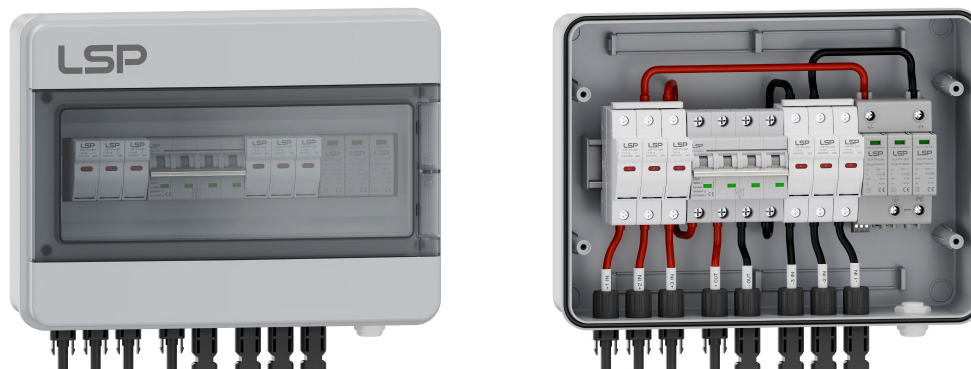
PV Surge Protector	SLP-PV1000/(S)	DC Fuse Holder	LFPV-1038H
Max. Operation Voltage (U_{opv})	1000 V	Thermoplastic	Yes
Compliance	IEC/EN 61643-31	Rated Working Voltage	1000 V
Maximum Discharge Current	40 kA	Fuse Link	10 × 38 mm, 16 A
Certification	TUV CE	Certification	CE
DC Miniature Circuit Breaker	TX7-63Z	Enclosure	LWB-18
Rated Insulation Voltage (U_i)	1000 V	Material Type	Polycarbonate
Rated Current (I_e)	16 A	Degree of Protection	IP65
Category	DC-Breaker	Degree of Resistance to Impacts	IK10
Compliance	IEC 60947-2	Dimension (W x H x D)	388 × 230 × 120 mm
Certification	CE	Cable Input Entry	PG09 Cable Gland, 2.5-16 mm ²
		Output Cable Gland	PG21 2.5-16 mm ²



DC Combiner Box

SLP-3/1-1000V

3 String Input 1 String Output DC



Technical Data

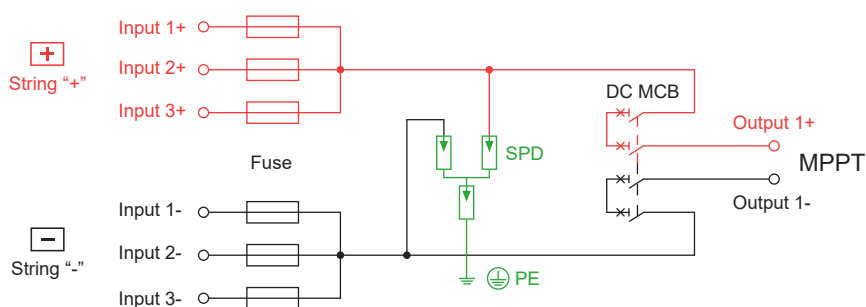
SLP-3/1-1000V

General Data

Model No.	SLP-3/1-1000V	Maximum Current Output	50 A
Input	3 string	Operating Temperature	-20 °C to + 60 °C
Output	1 string	Humidity	5% to 95%
Maximum Voltage	1000 V	Altitude	2000 m
Max DC Short Circuit Current per Input (I_{sc})	16 A (Changeable)	Installation	Wall Mounting

Accessory Data

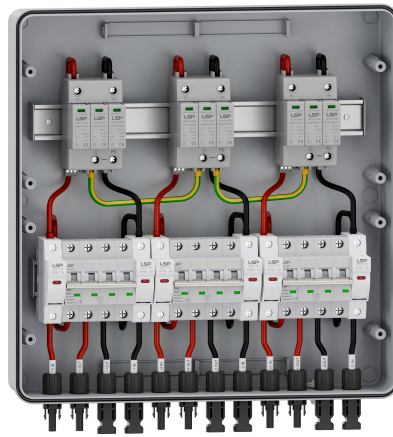
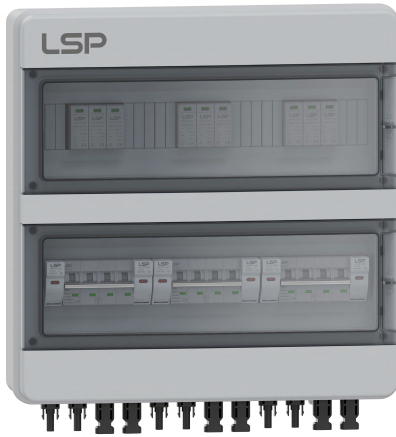
PV Surge Protector	SLP-PV1000/(S)	DC Fuse Holder	LFPV-1038H
Max. Operation Voltage (U_{cpv})	1000 V	Thermoplastic	Yes
Compliance	IEC/EN 61643-31	Rated Working Voltage	1000 V
Maximum Discharge Current	40 kA	Fuse Link	10 × 38 mm, 16 A
Certification	TUV CE	Certification	CE
DC Miniature Circuit Breaker	TX7-63Z	Enclosure	LWB-14
Rated Insulation Voltage (U_i)	1000 V	Material Type	Polycarbonate
Rated Current (I_e)	50 A	Degree of Protection	IP65
Category	DC-Breaker	Degree of Resistance to Impacts	IK10
Compliance	IEC 60947-2	Dimension (W x H x D)	310 × 230 × 120 mm
Certification	CE	Cable Input Entry	PG09 Cable Gland, 2.5-16 mm ²
		Output Cable Gland	PG21 2.5-16 mm ²



DC Combiner Box

SLP-3/3-1000V

3 String Input 3 String Output DC



Technical Data

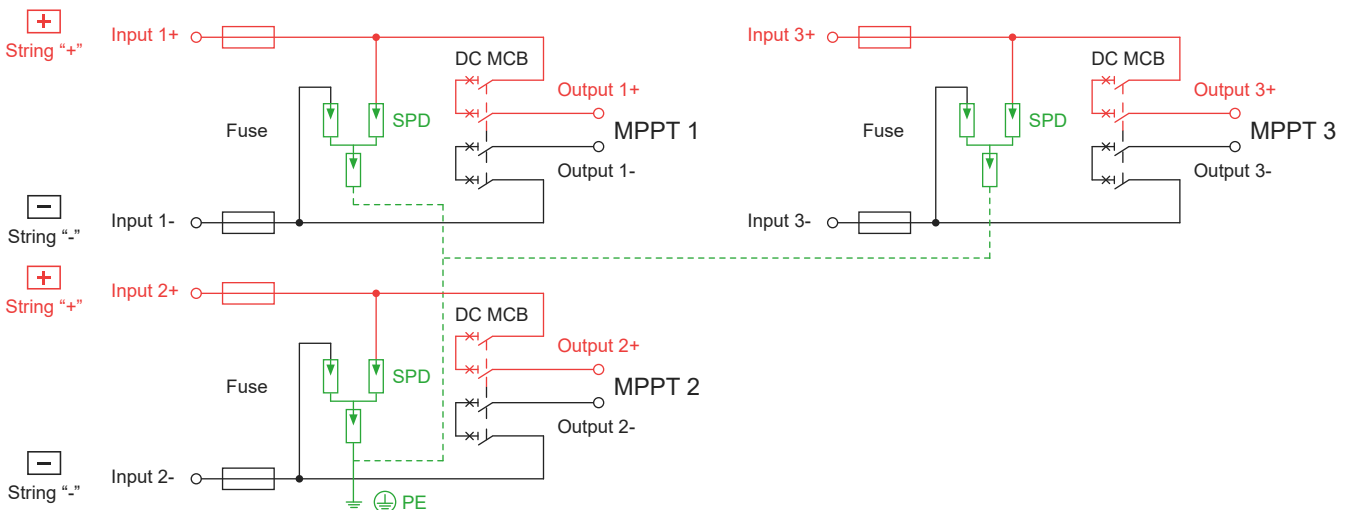
SLP-3/3-1000V

General Data

Model No.	SLP-3/3-1000 V	Maximum Current Output	16 A
Input	3 string	Operating Temperature	-20 °C to + 60 °C
Output	3 string	Humidity	5% to 95%
Maximum Voltage	1000 V	Altitude	2000 m
Max DC Short Circuit Current per Input (I_{sc})	16 A (Changeable)	Installation	Wall Mounting

Accessory Data

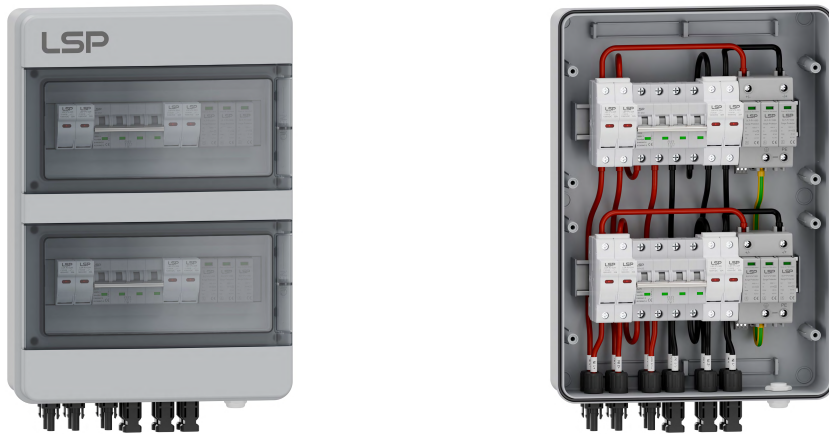
PV Surge Protector	SLP-PV1000/(S)	DC Fuse Holder	LFPV-1038H
Max. Operation Voltage (U_{cpv})	1000 V	Thermoplastic	Yes
Compliance	IEC/EN 61643-31	Rated Working Voltage	1000 V
Maximum Discharge Current	40 kA	Fuse Link	10 × 38 mm, 16 A
Certification	TUV CE	Certification	CE
DC Miniature Circuit Breaker	TX7-63Z	Enclosure	LWB-36
Rated Insulation Voltage (U_i)	1000 V	Material Type	Polycarbonate
Rated Current (I_e)	16 A	Degree of Protection	IP65
Category	DC-Breaker	Degree of Resistance to Impacts	IK10
Compliance	IEC 60947-2	Dimension (W x H x D)	388 × 393 × 120 mm
Certification	CE	Cable Input Entry	PG09 Cable Gland, 2.5-16 mm ²
		Output Cable Gland	PG21 2.5-16 mm ²



DC Combiner Box

SLP-4/2-1000V

4 String Input 2 String Output DC



Technical Data

SLP-4/2-1000V

General Data

Model No.	SLP-4/2-1000 V	Maximum Current Output	32 A
Input	4 string	Operating Temperature	-20 °C to + 60 °C
Output	2 string	Humidity	5% to 95%
Maximum Voltage	1000 V	Altitude	2000 m
Max DC Short Circuit Current per Input (I_{sc})	16 A (Changeable)	Installation	Wall Mounting

Accessory Data

PV Surge Protector	SLP-PV1000/(S)	DC Fuse Holder	LFPV-1038H
Max. Operation Voltage (U_{opv})	1000 V	Thermoplastic	Yes
Compliance	IEC/EN 61643-31	Rated Working Voltage	1000 V
Maximum Discharge Current	40 kA	Fuse Link	10 × 38 mm, 16 A
Certification	TUV CE	Certification	CE
DC Miniature Circuit Breaker	TX7-63Z	Enclosure	LWB-24
Rated Insulation Voltage (U_i)	1000 V	Material Type	Polycarbonate
Rated Current (I_e)	32 A	Degree of Protection	IP65
Category	DC-Breaker	Degree of Resistance to Impacts	IK10
Compliance	IEC 60947-2	Dimension (W x H x D)	280 × 393 × 120 mm
Certification	CE	Cable Input Entry	PG09 Cable Gland, 2.5-16 mm ²
		Output Cable Gland	PG21 2.5-16 mm ²

