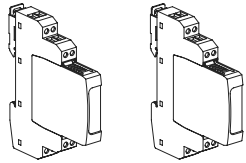


Telecom and Data Surge Protector

Installation Instructions

FRD2-xxx series, FRD4-xxx series



⚠ Important Notes:

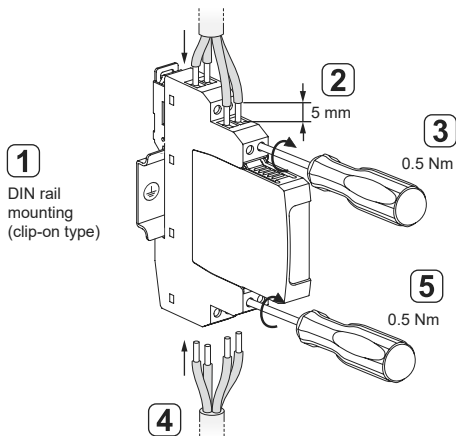
- Please read this manual carefully before installing or operating the product. If you have any questions, please contact our company.
- Unauthorized disassembly of the product is strictly prohibited to prevent instrument failure or malfunctions.

Installation

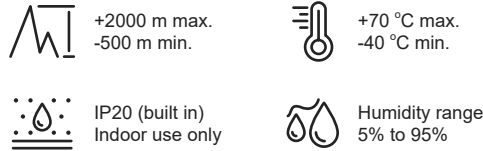
Conductor cross-section range (mm²)

Conductor function		FRD2, FRD4
	Live / Neutral wire	1 - 4
	Live / Neutral wire	1 - 4

Values based on copper conductors.



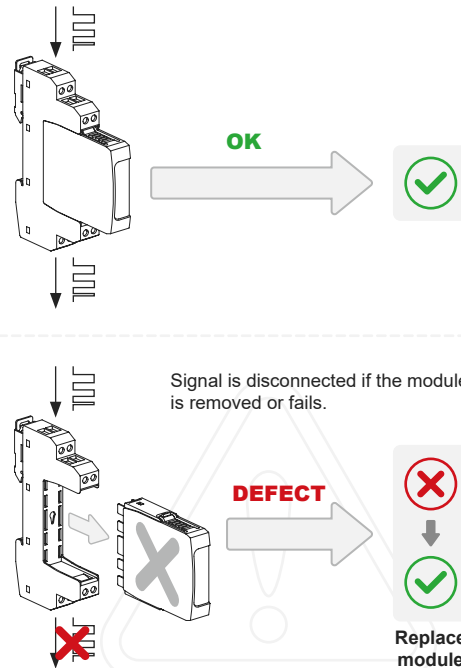
Working Conditions



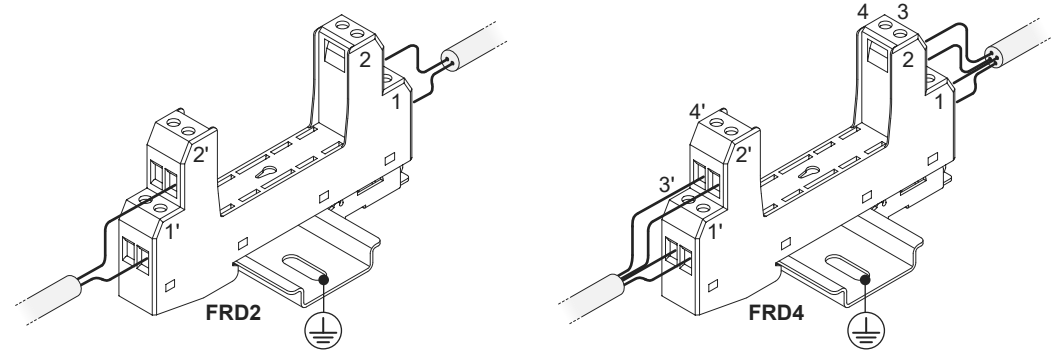
Characteristics

	FRD2-xxx series	FRD4-xxx series
Lines Protected	1 (2 Conductors)	2 (4 Conductors)
I_L		1 A
I_n		10 kA
I_{max}		20 kA
I_{imp}	5 kA	2.5 kA

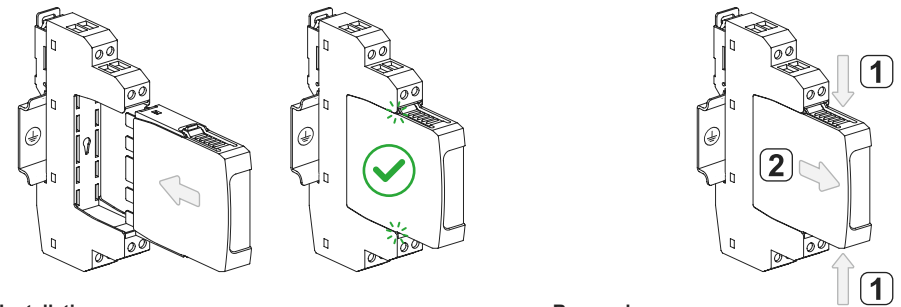
Maintenance



Standard Wiring



Module Installation and Removal



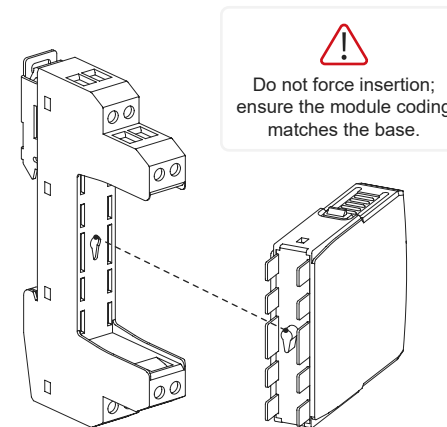
Installation

Insert the module into the base until it audibly clicks into place, ensuring it is properly engaged.

Removal

Grip the module at the top and bottom and pull it straight out to disengage.

Module Precautions



Wiring Precautions

