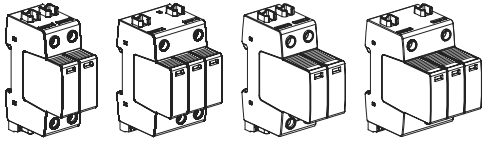


PV Surge Protective Device (SPD)

Installation Instructions

SLP-PVxxx series, FLP-PVxxx series



Important Notes:

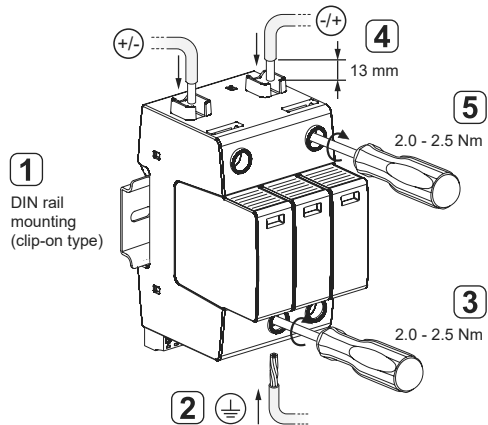
- Please read this manual carefully before installing or operating the product. If you have any questions, please contact our company.
- Unauthorized disassembly of the product is strictly prohibited to prevent instrument failure or malfunctions.

Installation

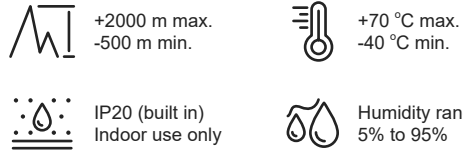
Conductor cross-section range (mm²)

Conductor function	SLP-PV	FLP-PV
Live / Neutral wire	2.5 - 35	6 - 35
Earth wire	6 - 35	16 - 35
Live / Neutral wire	2.5 - 25	6 - 25
Earth wire	6 - 25	16 - 25

Values based on copper conductors.
Conductor size in accordance with IEC 60364-5-53.



Working Conditions

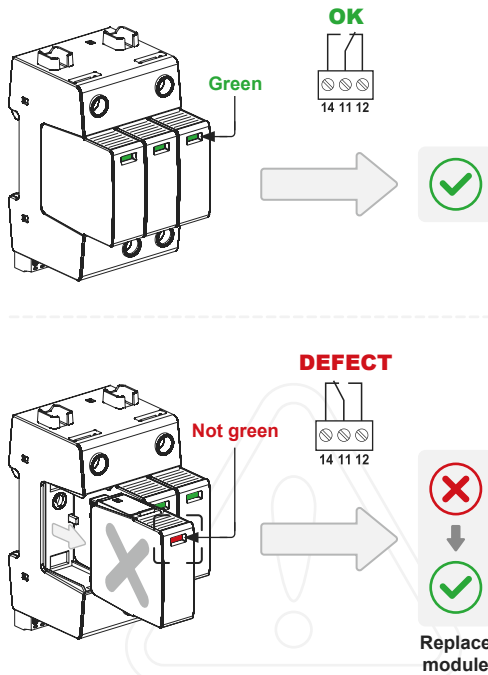


Characteristics

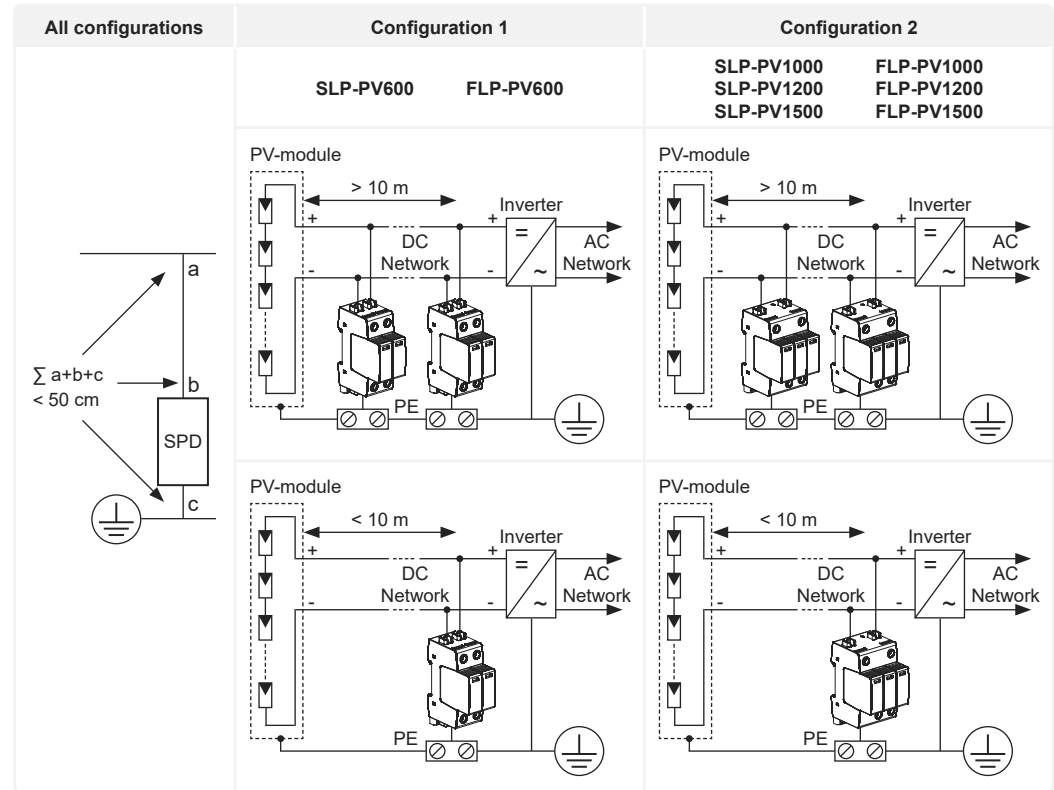
P/N	I _{PE}	I _{SCPV}	I _n	I _{max}	I _{imp}
SLP-PV600					
SLP-PV1000					
SLP-PV1200					
SLP-PV1500	< 0.5 mA	10000 A	20 kA	40 kA	
FLP-PV600					6.25 kA
FLP-PV1000					6.25 kA
FLP-PV1200					6.25 kA
FLP-PV1500					6.25 kA

The SPD enters an open-circuit mode (OCM) upon overload.
Remote signal option: e.g. SLP-PV1000(S)

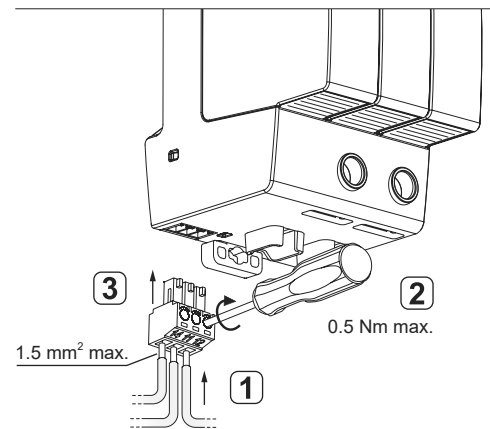
Maintenance



Standard Wiring



Remote Contact Wiring



Remote signal for disconnection information

- 11-12 Closed = SPD OK
- 11-14 Open = SPD OK
- 11-12 Open = SPD disconnect
- 11-14 Closed = SPD disconnect

Remote contact electrical ratings

- 250 Vac / 0.5 A max.
- 30 Vdc / 3 A max.