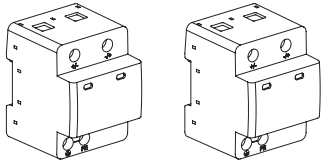


PV Surge Protective Device (SPD)

Installation Instructions

FLP-PVxxxG series



⚠ Important Notes:

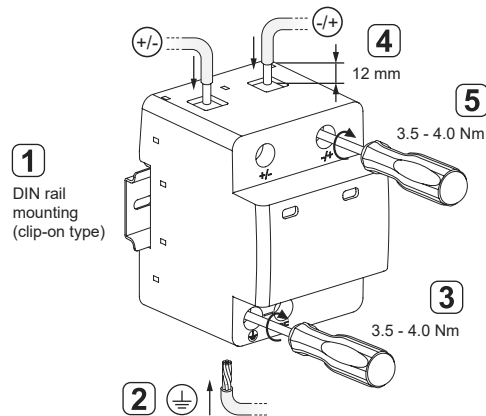
- Please read this manual carefully before installing or operating the product. If you have any questions, please contact our company.
- Unauthorized disassembly of the product is strictly prohibited to prevent instrument failure or malfunctions.

Installation

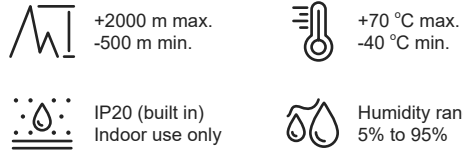
Conductor cross-section range (mm²)

| Conductor function | | FLP-PVxxxG |
|--------------------|---------------------|------------|
| | Live / Neutral wire | 6 - 35 |
| | Earth wire | 16 - 35 |
| | Live / Neutral wire | 6 - 25 |
| | Earth wire | 16 - 25 |

Values based on copper conductors.
Conductor size in accordance with IEC 60364-5-53.



Working Conditions

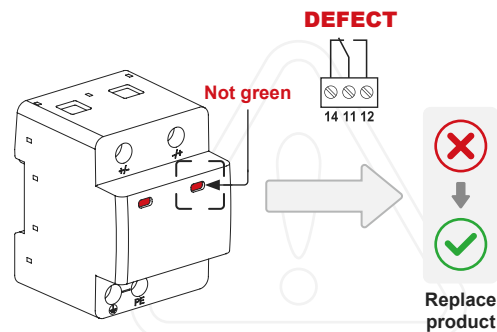
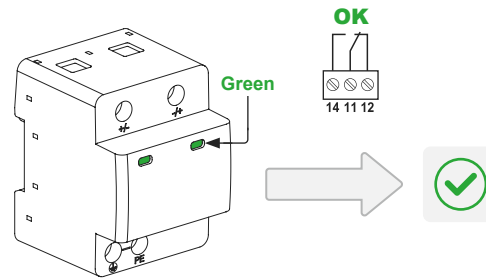


Characteristics

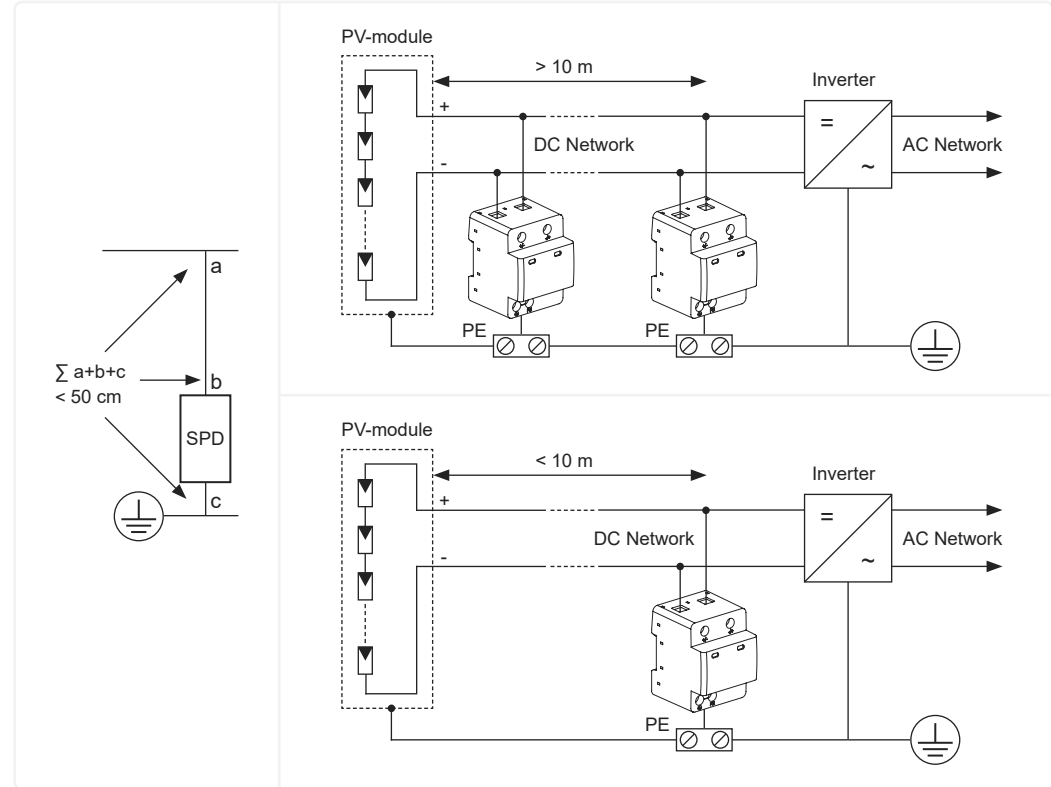
| FLP-PVxxxG series | |
|-------------------|---------|
| $I_{PE, AC/DC}$ | ≤ 25 μA |
| I_{SCPv} | 2 kA |
| I_n | 20 kA |
| I_{max} | 40 kA |
| I_{imp} | 6.25 kA |
| I_{total} | 12.5 kA |

Remote signal option: e.g. FLP-PV1000G(S)

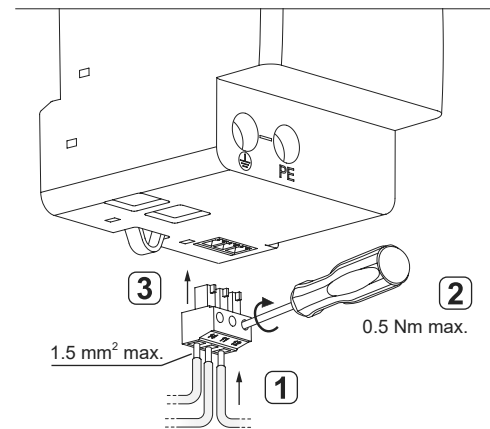
Maintenance



Standard Wiring



Remote Contact Wiring



Remote signal for disconnection information

- 11-12 Closed = SPD OK
- 11-14 Open = SPD OK
- 11-12 Open = SPD disconnect
- 11-14 Closed = SPD disconnect

Remote contact electrical ratings

- 250 Vac / 0.5 A max.
- 30 Vdc / 3 A max.