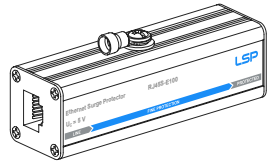


Ethernet Surge Protector

Installation Instructions

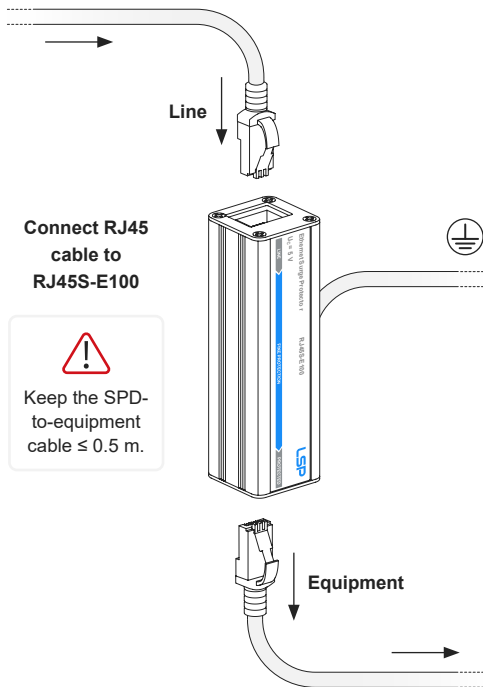
RJ45S-E100



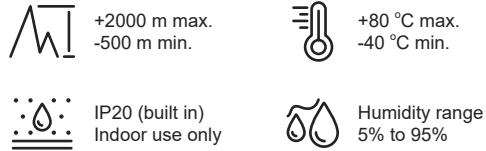
Important Notes:

- Please read this manual carefully before installing or operating the product. If you have any questions, please contact our company.
- Unauthorized disassembly of the product is strictly prohibited to prevent instrument failure or malfunctions.

Wiring



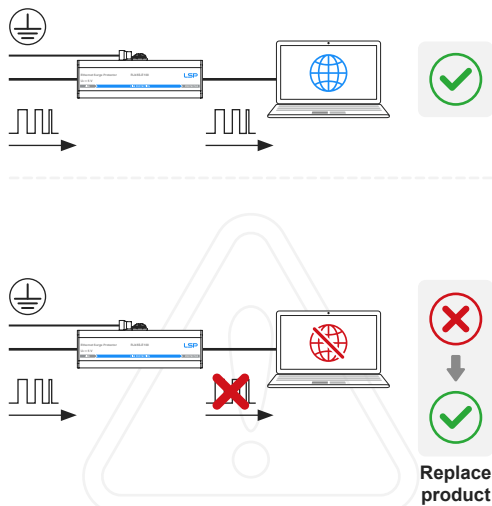
Working Conditions



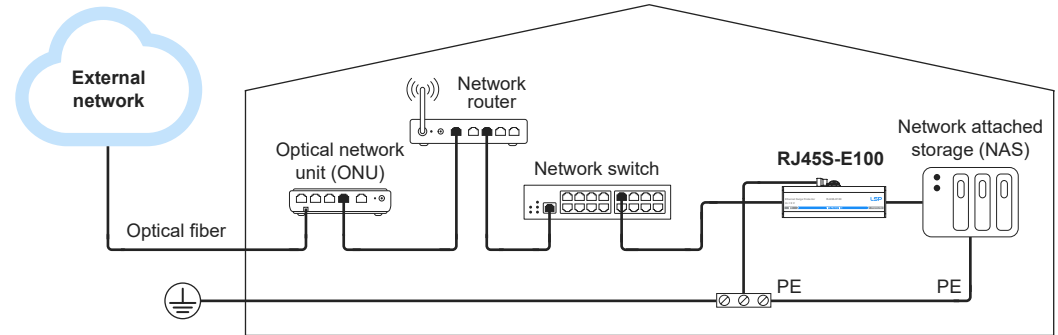
Characteristics

Max. continuous voltage DC	5 V
Max. continuous voltage AC	4.2 V
Rated current I_n	100 mA
Lightning impulse current (10/350 μ s)	1 kA
C2 Nominal discharge current (8/20 μ s) line-line	150 A
C2 Nominal discharge current (8/20 μ s) line-PG	2.5 kA
Voltage protection level line-line for I_n C2	< 35 V
Voltage protection level line-PG for I_n C2	< 35 V
Voltage protection level line-line at 1 kV/ μ s C3	< 13 V

Maintenance

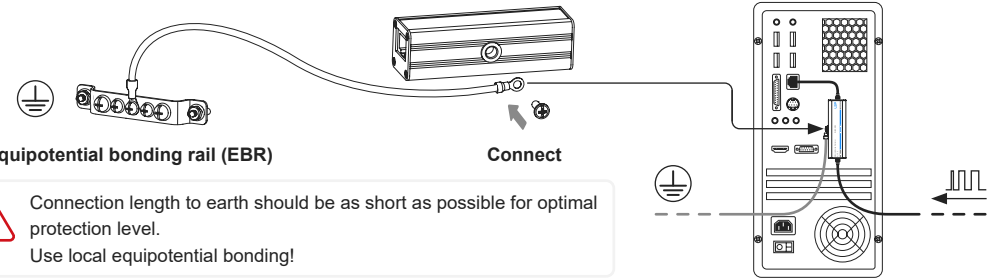


Application Example



Warning: To ensure optimal performance of the RJ45S-E100 channel, all cabling and components must be of high quality and comply with ISO/IEC or ANSI/TIA/EIA standards.

Protection for End Device



Wiring precautions

