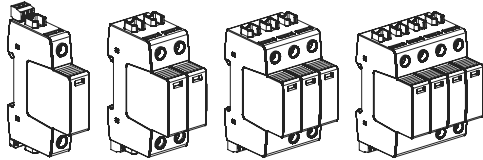


## AC Surge Protective Device (SPD)

### Installation Instructions

**SLP20-xxx series, SLP40-xxx series**  
**FLP7-xxx series, FLP12,5-xxx series**



#### Important Notes:

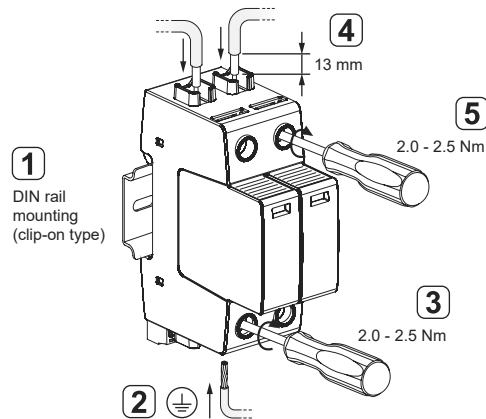
- Please read this manual carefully before installing or operating the product. If you have any questions, please contact our company.
- Unauthorized disassembly of the product is strictly prohibited to prevent instrument failure or malfunctions.

### Installation

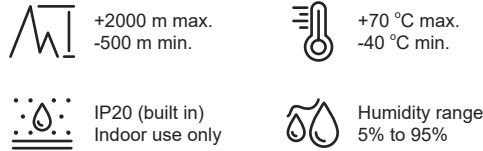
#### Conductor cross-section range (mm<sup>2</sup>)

Conductor function	SLP20	FLP7
	SLP40	FLP12,5
Live / Neutral wire	2.5 - 35	4 - 35
Earth wire	6 - 35	
Live / Neutral wire	2.5 - 25	4 - 25
Earth wire	6 - 25	

Values based on copper conductors.



### Working Conditions

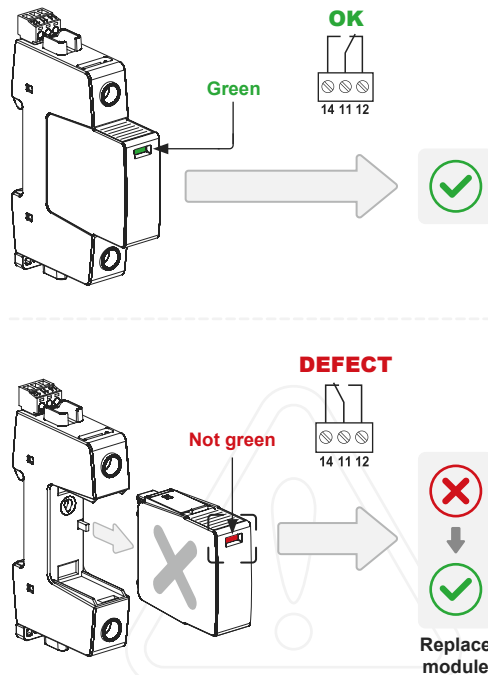


### Characteristics

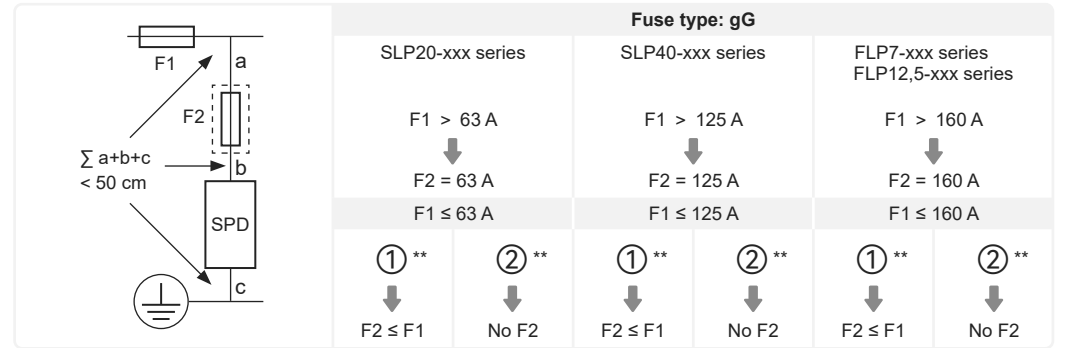
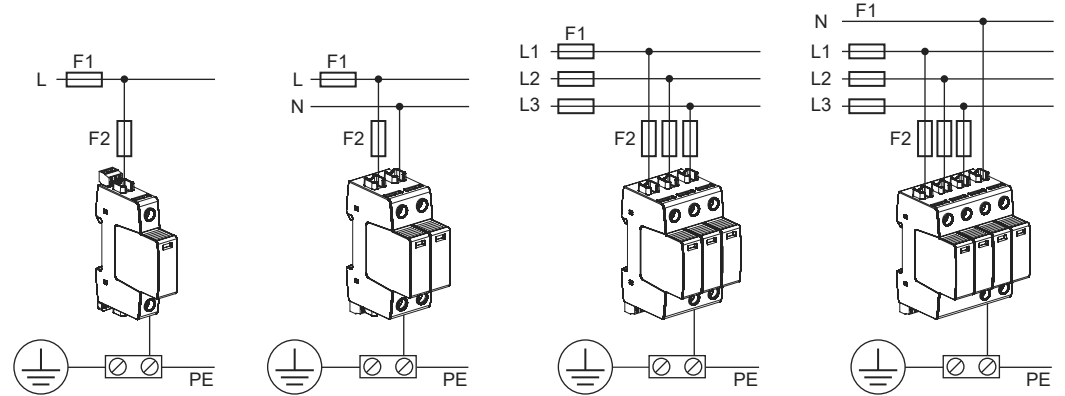
	SLP20-xxx series	SLP40-xxx series	FLP7-xxx series	FLP12,5-xxx series
$I_{PE}$	< 0.5 mA / (= 0 mA for +1 version)			
$I_{SCCR}$	10 kA		25 kA	
$I_n$	10 kA		20 kA	
$I_{max}$	20 kA	40 kA		50 kA
$I_{imp}$			7 kA	12.5 kA

Remote signal option: e.g. SLP40-275/4(S)

### Maintenance

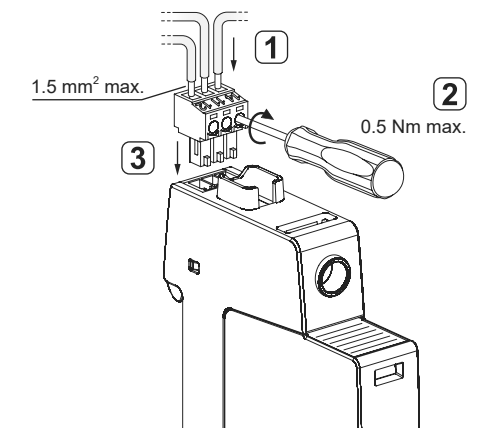


### Standard Wiring



\*\* Depending on national rules: Solution ① or ②

### Remote Contact Wiring



#### Remote signal for disconnection information

- 11-12 Closed = SPD OK
- 11-14 Open = SPD OK
- 11-12 Open = SPD disconnect
- 11-14 Closed = SPD disconnect

#### Remote contact electrical ratings

- 250 Vac / 0.5 A max.
- 30 Vdc / 3 A max.