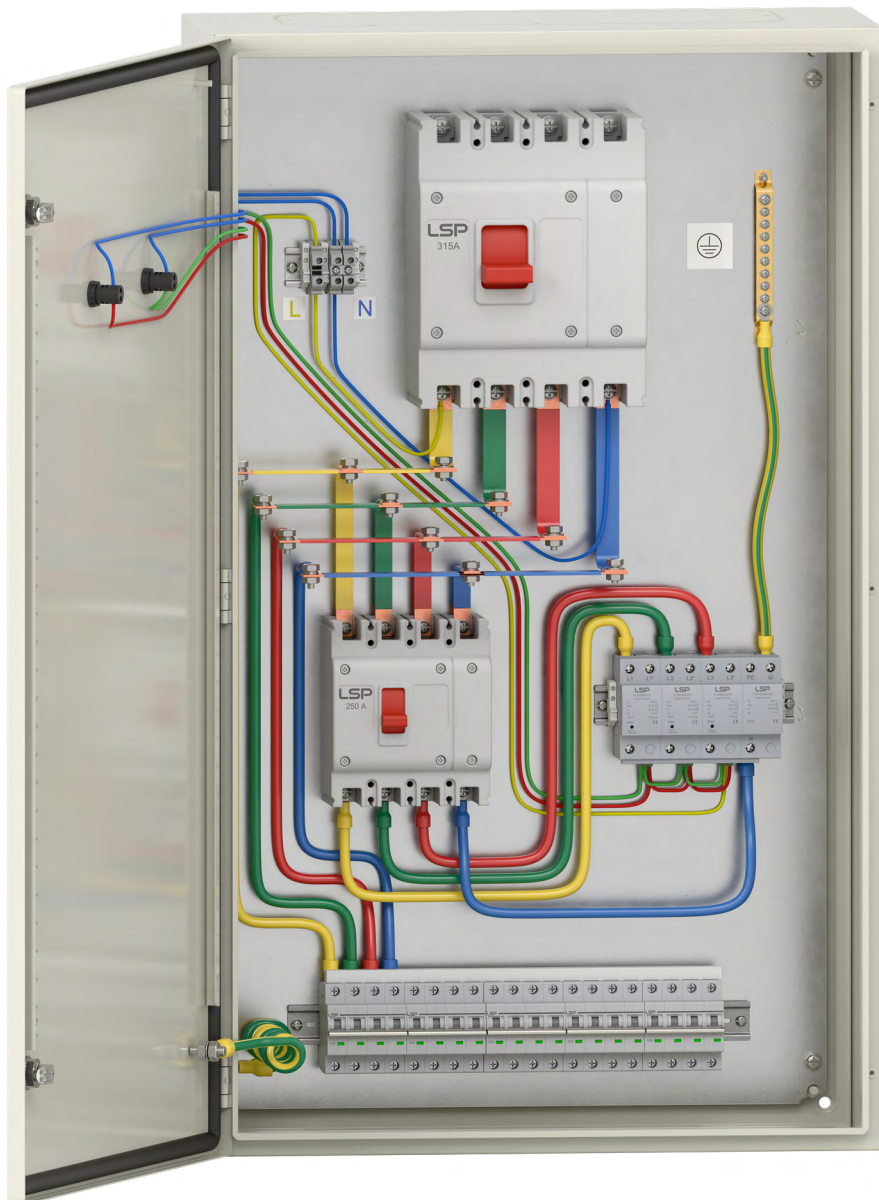


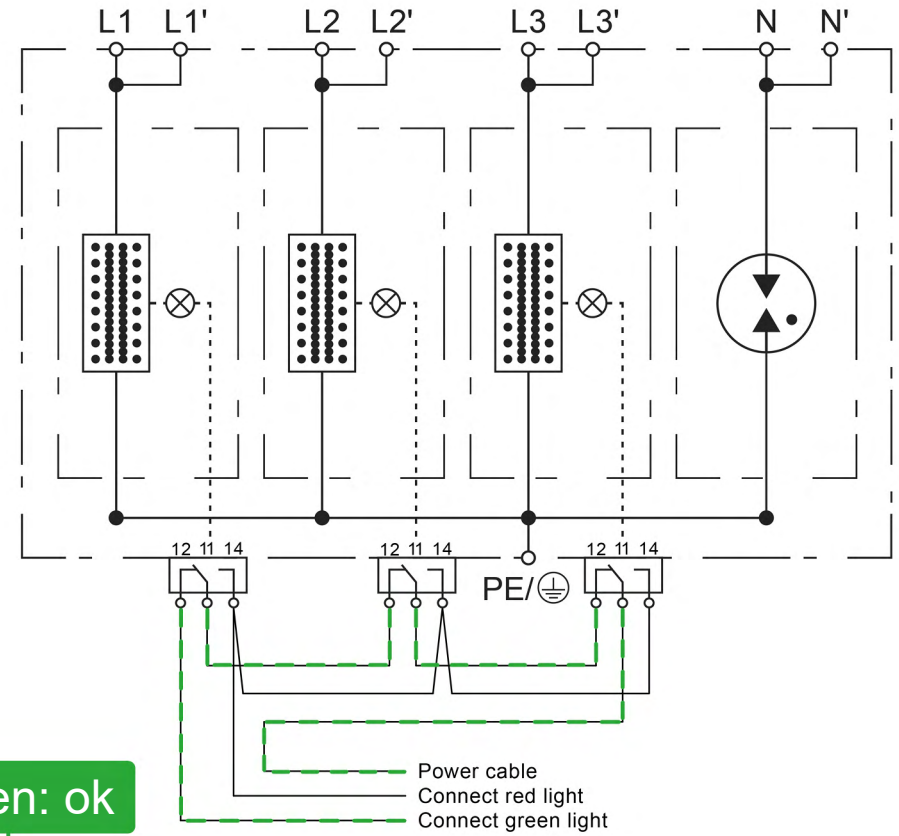
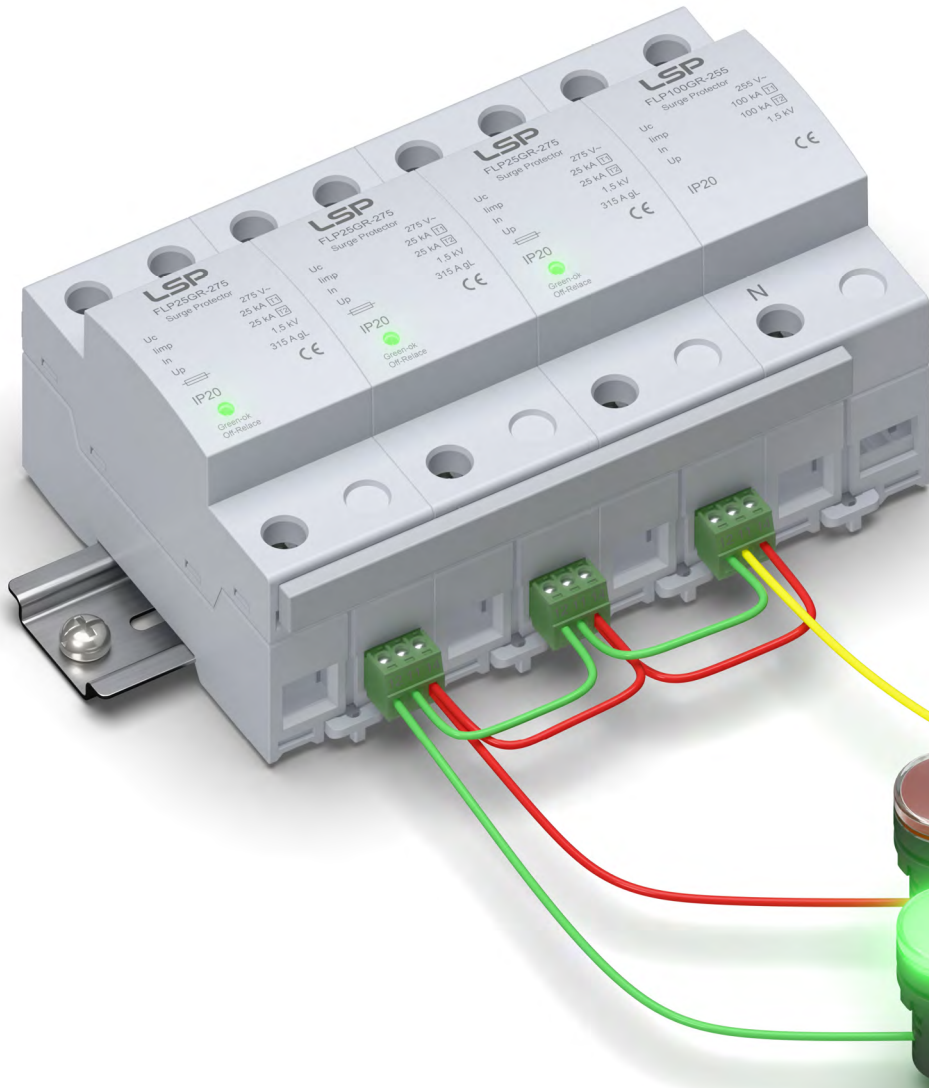
AC Surge Protector Wiring Diagram



Type 1 SPD FLP25GR-275/3S+1

Maximum Continuous Operating Voltage (AC)	U_c	(L-N) / (N-PE)	275 V / 255 V
Nominal Discharge Current (8/20 μ s)	I_n	(L-N) / (N-PE)	25 kA / 100 kA
Impulse Discharge Current (10/350 μ s)	I_{imp}	(L-N) / (N-PE)	25 kA / 100 kA
Voltage Protection Level	U_p	(L-N) / (N-PE)	1.5 kV / 1.5 kV

Remote Signaling Terminal Normal Status



Remote Signaling Terminal Fault Status

