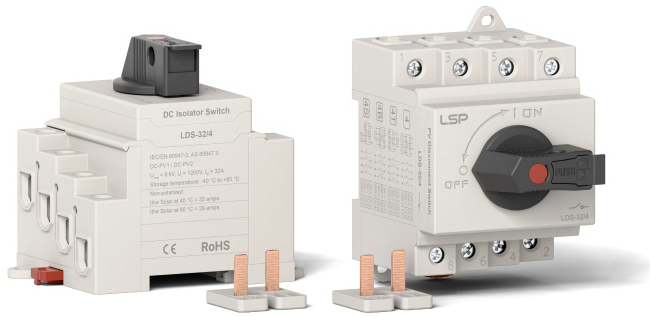


DC Isolator Switch LDS-32/4 PV Switch-Disconnecter



- Compliance: IEC/EN 60947-3 and AS 60947.3
- Utilization Category: DC-PV1 / DC-PV2
- Polarity: Non-polarized
- Degree of Protection: IP20
- OFF-position lockable
- UV-resistant, Flame-retardant (UL 94 V-0)
- Arcing Time: <2 ms

The LDS series solar DC disconnect switch is suitable for rated voltage DC 1200 V and below, rated current 32 A and below power systems. It is designed for infrequent connection and disconnection, providing

reliable isolation of 1–2 MPPT lines simultaneously. Ideal for isolating lines in DC transmission and distribution systems, such as cutting the direct current circuit between solar panels and inverters.

Technical Data

LDS-32/4

Electrical Characteristic

Rated Frequency		DC
Rated Operating Voltage	U_e	300 V / 600 V / 800 V / 1000 V / 1200 V
Rated Insulation Voltage	U_i	1200 V
Rated Thermal Current	I_{th}	32 A
Rated Short-time Withstand Current	I_{cw}	1 kA/1s (4, 4T, 4B, 4S), 1.7 kA/1s (2H)
Rated Impulse Withstand Voltage	U_{imp}	8 kV
Pole		4 Poles
Function		Isolation and control
Utilization Category		DC-PV1 / DC-PV2
Overvoltage Category		II
Polarity		Mechanically non-polarized; "+" and "-" polarities can be interchanged
Compliance		IEC/EN 60947-3, AS 60947.3
Service Life / Cycle Operations	Mechanical	15000
	Electrical	300
Accessory		Staggered busbar

Installation Environment

Degree of Protection	IP20
Storage Temperature	-40 °C to +85 °C
Mounting Type	Vertically or horizontally
Pollution Degree	3

Order Information

Ordering Code	32
LDS-32/4	1032400

LDS-32/4

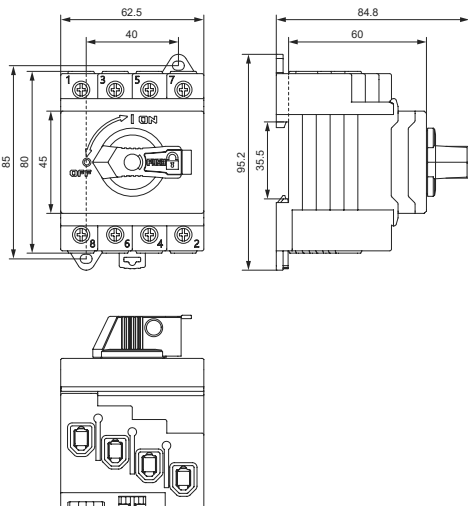
Wiring interchange - Corresponding figure

Type	4-Pole				4-Pole With Input And Output Bottom				4-Pole With Input And Output Bottom				4-Pole With Input On Top Output Bottom			
-	4				4T				4B				4S			
Contacts Wiring Graph																
Switching Examples																
Rated Voltage	300 V	600 V	800 V	1000 V 1200 V	300 V	600 V	800 V	1000 V 1200 V	300 V	600 V	800 V	1000 V 1200 V	300 V	600 V	800 V	1000 V 1200 V
Rated Current	32 A	32 A	12 A	8 A	32 A				32 A				32 A			

For detailed wiring instructions, please refer to the installation instruction.

Dimensions & Packaging

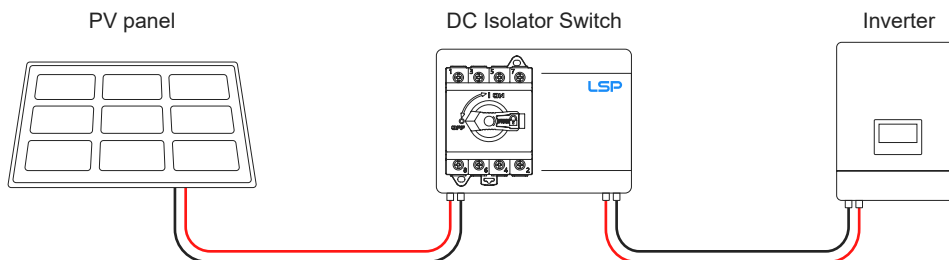
[mm]



Complete Unit

LDS-32	LDS-32/4
Units per Carton	50 pcs
Gross Weight per Carton	15 kg
Dimensions (H x W x L)	[200 × 355 × 525 mm]

Easy Installation Instructions



DC Isolator Switch LDS-32/4E(D/Q) PV Switch-Disconnecter



- Compliance: IEC/EN 60947-3 and AS 60947.3
- Utilization Category: DC-PV1 / DC-PV2
- Polarity: Non-polarized
- Degree of Protection: IP66, UV-resistant
- OFF-position lockable
- UV-resistant, Flame-retardant (UL 94 V-0)
- Arcing Time: <2 ms

The LDS series solar DC disconnect switch is suitable for rated voltage DC 1200 V and below, rated current 32 A and below power systems. It is designed for infrequent connection and disconnection, providing

reliable isolation of 1–2 MPPT lines simultaneously. Ideal for isolating lines in DC transmission and distribution systems, such as cutting the direct current circuit between solar panels and inverters.

Technical Data

LDS-32/4E(D/Q)

Electrical Characteristic

Rated Frequency		DC
Rated Operating Voltage	U_e	300 V / 600 V / 800 V / 1000 V / 1200 V
Rated Insulation Voltage	U_i	1200 V
Rated Thermal Current	I_{th}	32 A
Rated Short-time Withstand Current	I_{cw}	1 kA/1s (4, 4T, 4B, 4S), 1.7 kA/1s (2H)
Rated Impulse Withstand Voltage	U_{imp}	8 kV
Pole		4 Poles
Function		Isolation and control
Utilization Category		DC-PV1 / DC-PV2
Overvoltage Category		II
Polarity		Mechanically non-polarized; "+" and "-" polarities can be interchanged
Compliance		IEC/EN 60947-3, AS 60947.3
Service Life / Cycle Operations	Mechanical	15000
	Electrical	300
Accessory		Staggered busbar

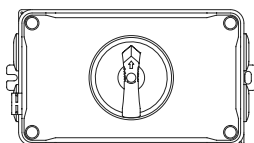
Installation Environment

Degree of Protection	IP66
Storage Temperature	-40 °C to +85 °C
Mounting Type	Vertically or horizontally
Pollution Degree	3

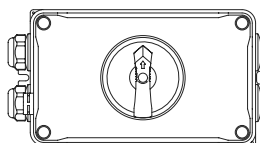
Order Information

Ordering Code	32
LDS-32/4E	1032410
LDS-32/4ED	1032411
LDS-32/4EQ	1032412

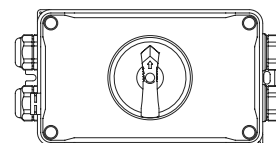
Cable Entry Configurations



LDS-32/4E



LDS-32/4ED



LDS-32/4EQ

Customized solutions available to meet your requirements. Please contact us for details.

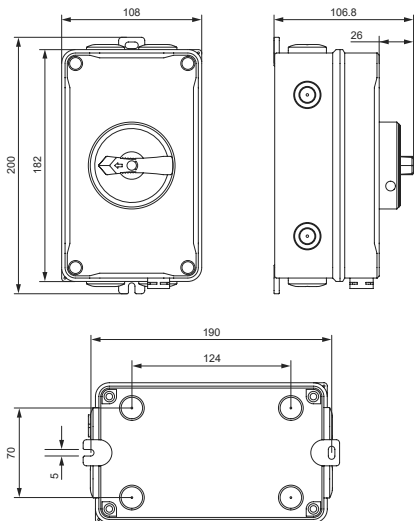
LDS-32/4E(D/Q)

Wiring interchange - Corresponding figure

Type	4-Pole				4-Pole With Input And Output Bottom				4-Pole With Input And Output Bottom				4-Pole With Input On Top Output Bottom			
-	4				4T				4B				4S			
Contacts Wiring Graph																
Switching Examples																
Rated Voltage	300 V	600 V	800 V	1000 V 1200 V	300 V	600 V	800 V	1000 V 1200 V	300 V	600 V	800 V	1000 V 1200 V	300 V	600 V	800 V	1000 V 1200 V
Rated Current	32 A	32 A	12 A	8 A	32 A				32 A				32 A			

For detailed wiring instructions, please refer to the installation instruction.

Dimensions & Packaging

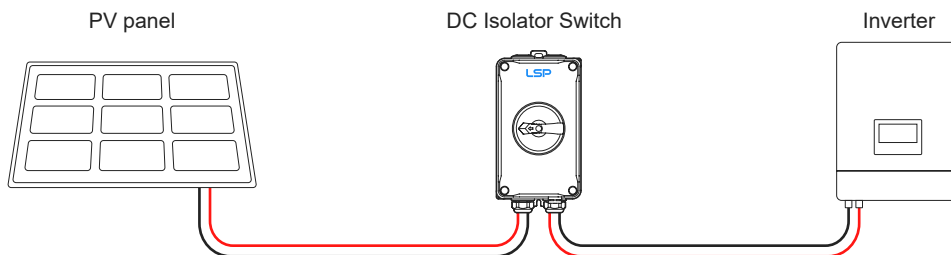


[mm]

Complete Unit

LDS-32	LDS-32/4E	LDS-32/4ED LDS-32/4EQ
Units per Carton	16 pcs	12 pcs
Gross Weight per Carton	12 kg	10.4 kg
Dimensions (H x W x L)	[245 x 430 x 470 mm]	[250 x 350 x 570 mm]

Easy Installation Instructions



DC Isolator Switch LDS-32/4M(H/X) PV Switch-Disconnect



- Compliance: IEC/EN 60947-3 and AS 60947.3
- Utilization Category: DC-PV1 / DC-PV2
- Polarity: Non-polarized
- Degree of Protection: IP66, UV-resistant
- OFF-position lockable
- UV-resistant, Flame-retardant (UL 94 V-0)
- Arcing Time: <2 ms

The LDS series solar DC disconnect switch is suitable for rated voltage DC 1200 V and below, rated current 32 A and below power systems. It is designed for infrequent connection and disconnection, providing

reliable isolation of 1–2 MPPT lines simultaneously. Ideal for isolating lines in DC transmission and distribution systems, such as cutting the direct current circuit between solar panels and inverters.

Technical Data

LDS-32/4M(H/X)

Electrical Characteristic

Rated Frequency		DC
Rated Operating Voltage	U_e	300 V / 600 V / 800 V / 1000 V / 1200 V
Rated Insulation Voltage	U_i	1200 V
Rated Thermal Current	I_{th}	32 A
Rated Short-time Withstand Current	I_{cw}	1 kA/1s (4, 4T, 4B, 4S), 1.7 kA/1s (2H)
Rated Impulse Withstand Voltage	U_{imp}	8 kV
Pole		4 Poles
Function		Isolation and control
Utilization Category		DC-PV1 / DC-PV2
Overvoltage Category		II
Polarity		Mechanically non-polarized; "+" and "-" polarities can be interchanged
Compliance		IEC/EN 60947-3, AS 60947.3
Service Life / Cycle Operations	Mechanical	15000
	Electrical	300
Accessory		Staggered busbar

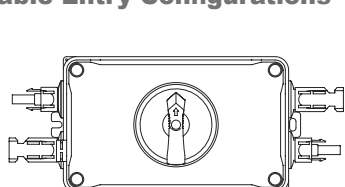
Installation Environment

Degree of Protection	IP66
Storage Temperature	-40 °C to +85 °C
Mounting Type	Vertically or horizontally
Pollution Degree	3

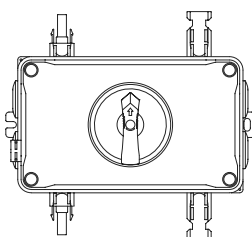
Order Information

Ordering Code	32
LDS-32/4M	1032420
LDS-32/4MH	1032421
LDS-32/4MX	1032422

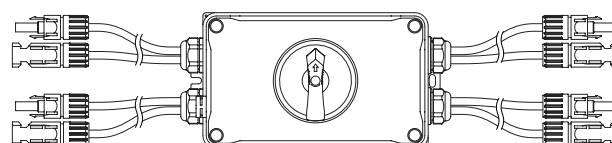
Cable Entry Configurations



LDS-32/4M



LDS-32/4MH



LDS-32/4MX

Customized solutions available to meet your requirements. Please contact us for details.

LDS-32/4M(H/X)

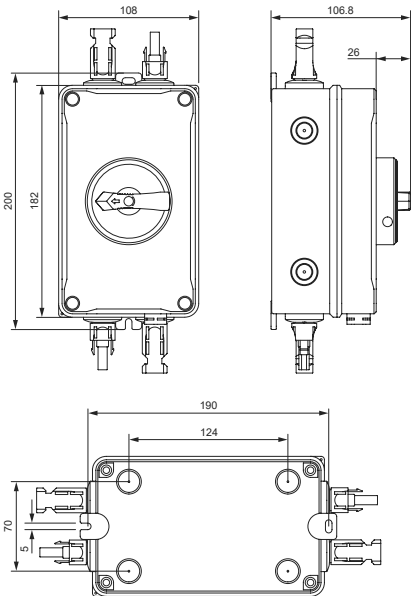
Wiring interchange - Corresponding figure

Type	4-Pole				4-Pole With Input And Output Bottom				4-Pole With Input And Output Bottom				4-Pole With Input On Top Output Bottom			
-	4				4T				4B				4S			
Contacts Wiring Graph																
Switching Examples																
Rated Voltage	300 V	600 V	800 V	1000 V 1200 V	300 V	600 V	800 V	1000 V 1200 V	300 V	600 V	800 V	1000 V 1200 V	300 V	600 V	800 V	1000 V 1200 V
Rated Current	32 A	32 A	12 A	8 A	32 A				32 A				32 A			

For detailed wiring instructions, please refer to the installation instruction.

Dimensions & Packaging

[mm]



Complete Unit

LDS-32	LDS-32/4M	LDS-32/4MH	LDS-32/4MX
Units per Carton	12 pcs	12 pcs	12 pcs
Gross Weight per Carton	10 kg	10 kg	13.7 kg
Dimensions (H x W x L)	[250 x 350 x 570 mm]	[360 x 375 x 425 mm]	[300 x 310 x 690 mm]

Easy Installation Instructions

