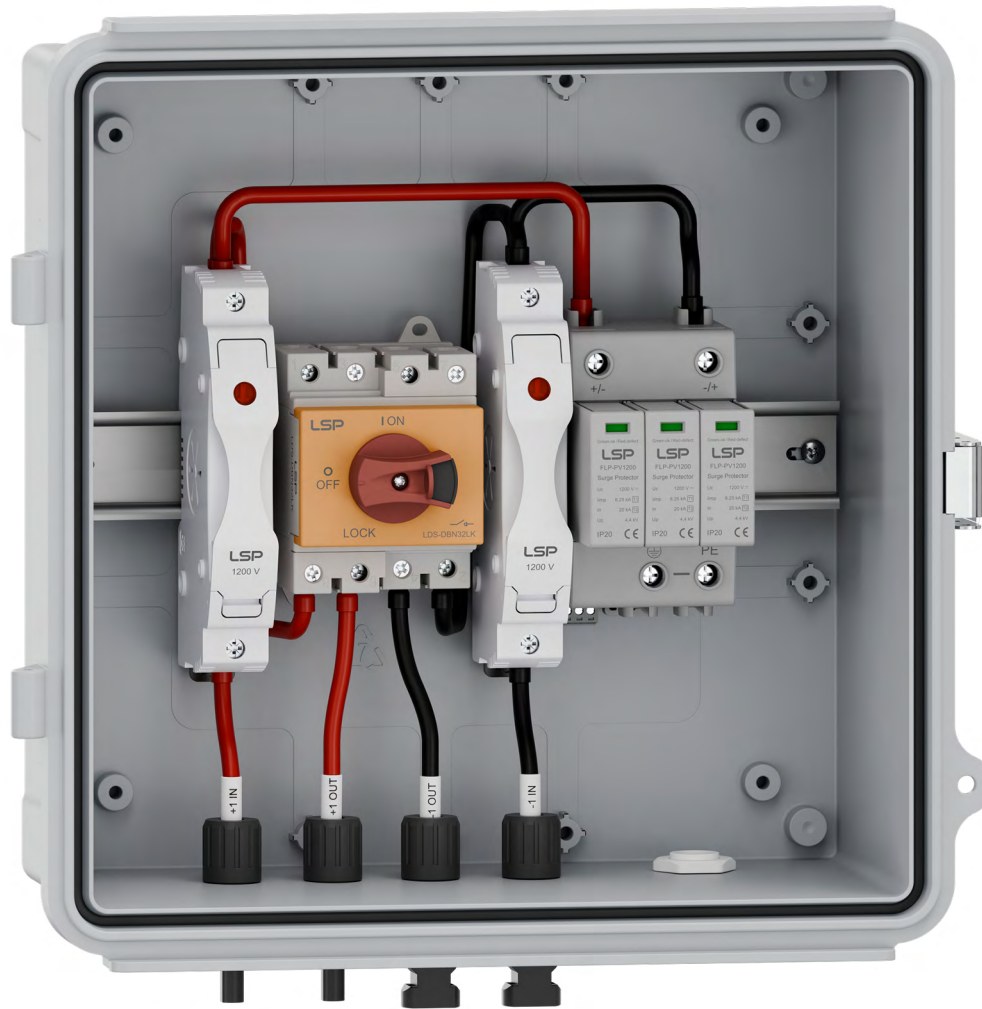


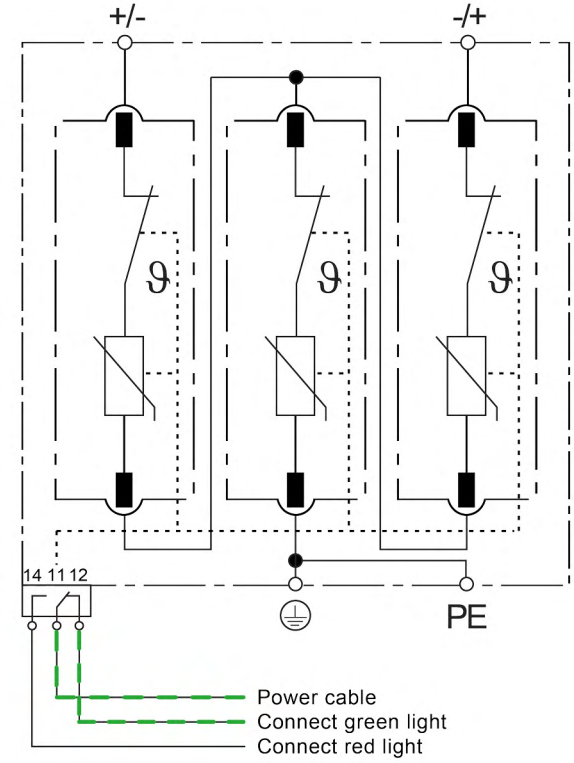
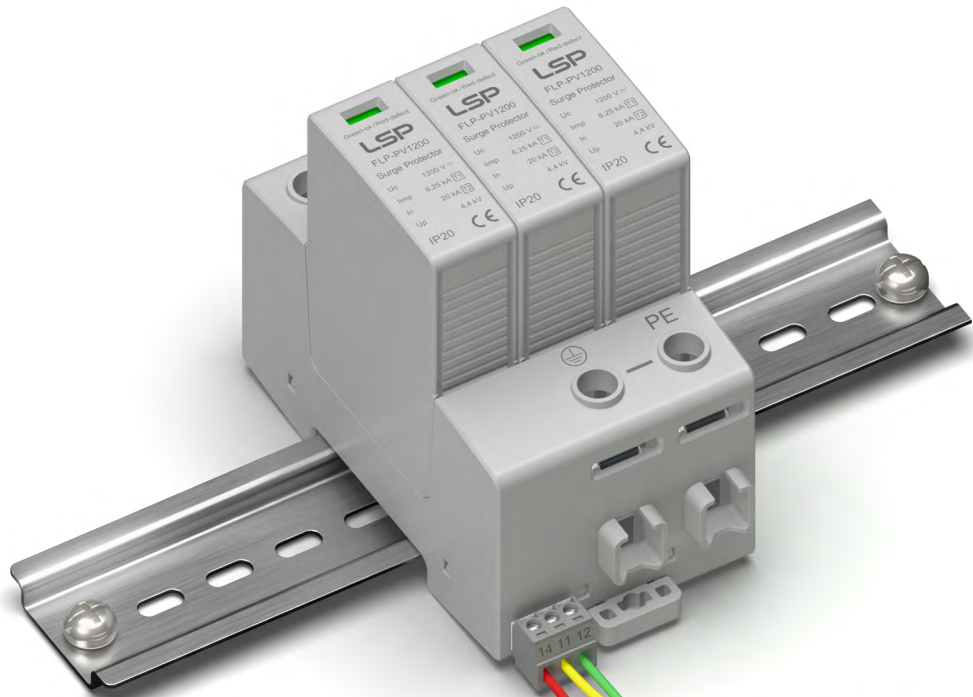
DC Surge Protector Wiring Diagram



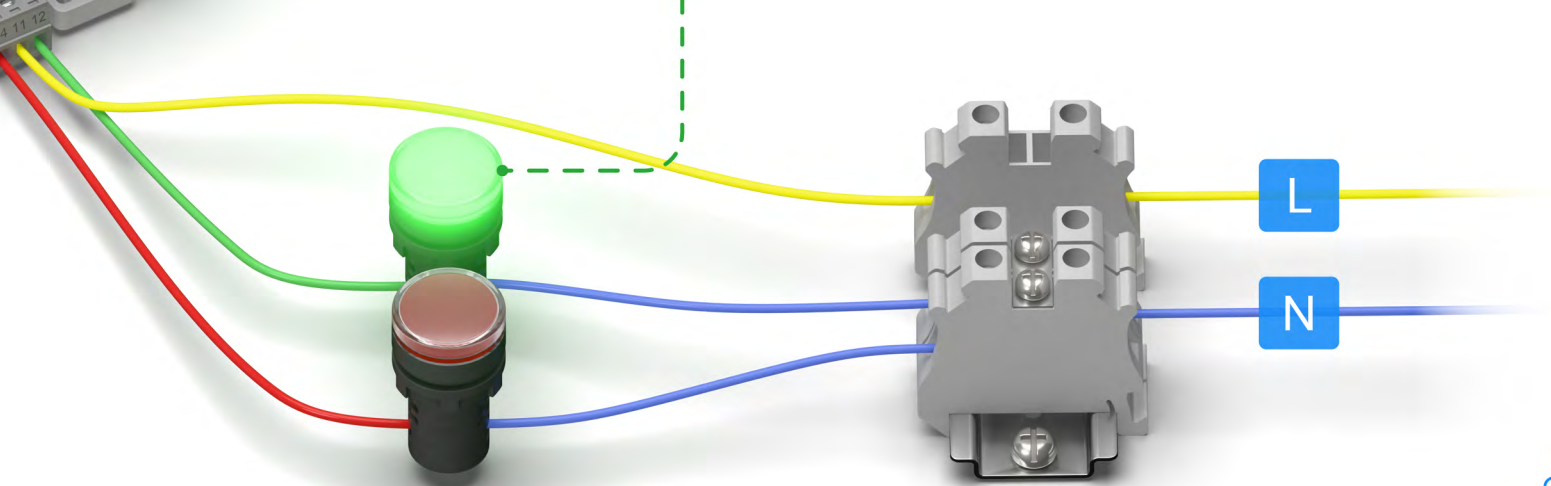
Type 1+2 SPD FLP-PV1200/S

Maximum Continuous Operating Voltage (DC)	U_{CPV}	(DC+)-PE, (DC-)-PE / (DC+)-(DC-)	1200 V / 1200 V
Nominal Discharge Current (8/20 μ s)	I_n	-	20 kA
Impulse Discharge Current (10/350 μ s)	I_{imp}	-	6.25 kA
Voltage Protection Level	U_p	(DC+)-PE, (DC-)-PE / (DC+)-(DC-)	4.4 kV / 4.4 kV

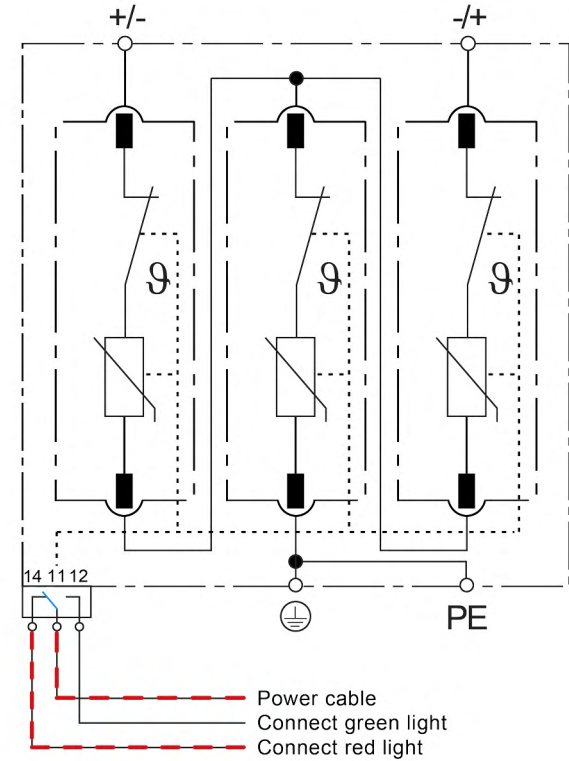
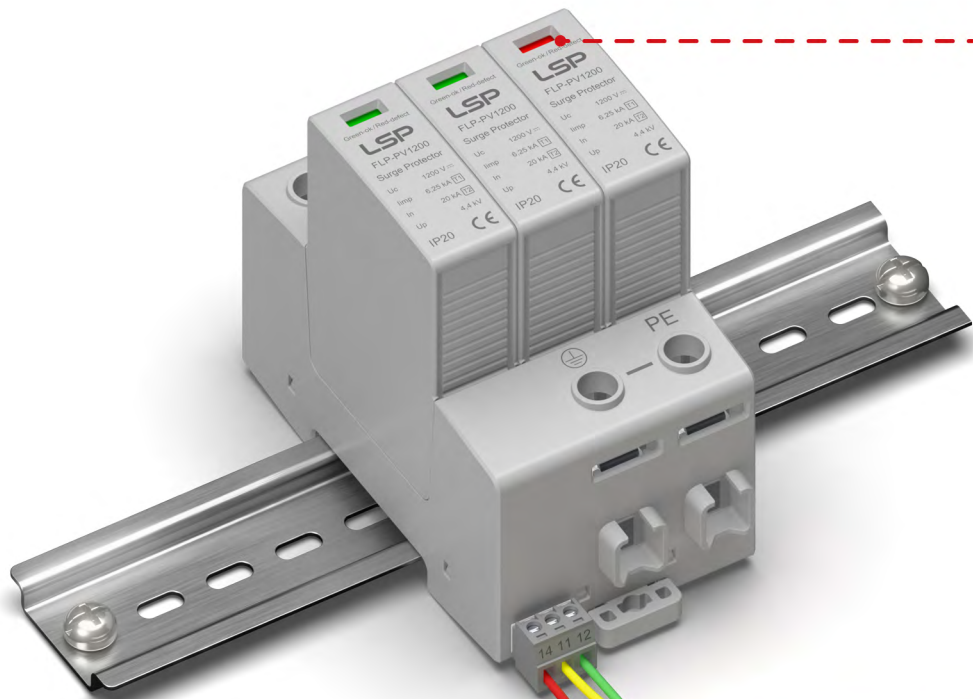
Remote Signaling Terminal Normal Status



Green: ok



Remote Signaling Terminal Fault Status



Red: defect

