

AC Surge Protective Device SLP20-xxx/1(S)

Class II • Class III • Type 2 • Type 3



Location of Use: Sub-Distribution Boards
 Network Systems: TN-S, TN-C, TT (only L-N)
 Mode of Protection: L-PE, N-PE (only TN-S), L-PEN, L-N
 Surge Ratings: $I_n = 10 \text{ kA (8/20 } \mu\text{s)}$
 Open Circuit Voltage: $U_{oc} = 20 \text{ kV (1.2/50 } \mu\text{s)}$
 IEC/EN Category: Class II+III / Type 2+3
 Protective Elements: High Energy MOV
 Housing: Pluggable Design
 Compliance: IEC 61643-11:2011
 EN 61643-11:2012

Technical Data

SLP20-xxx/1(S)		75	150	275	320	385	440
IEC Electrical							
Nominal AC Voltage (50/60 Hz)	U_o / U_n	60 V	120 V	230 V	230 V	230 V	400 V
Maximum Continuous Operating Voltage (AC)	U_c	75 V	150 V	275 V	320 V	385 V	440 V
Nominal Discharge Current (8/20 μs)	I_n	10 kA					
Maximum Discharge Current (8/20 μs)	I_{max}	20 kA					
Open Circuit Voltage (1.2/50 μs)	U_{oc}	20 kV					
Voltage Protection Level	U_p	300 V	600 V	1200 V	1400 V	1600 V	1800 V
Residual Current at U_c	I_{PE}	< 0.5 mA					
Response Time	t_A	< 25 ns					
Max. Backup Fuse		63 A gL / gG					
Short-Circuit Current Rating (AC)	I_{SCCR}	10 kA					
TOV Withstand 5 s	U_T	90 V	180 V	335 V	335 V	335 V	580 V
TOV 120 min	U_T	115 V	230 V	440 V	440 V	440 V	765 V
	mode	Withstand	Withstand	Safe Fail	Safe Fail	Safe Fail	Safe Fail
Number of Ports		1					
Mechanical & Environmental							
Operating Temperature Range	T_a	-40 °C to +70 °C					
Permissible Operating Humidity	RH	5% to 95%					
Atmospheric Pressure and Altitude		80 kPa to 106 kPa / -500 m to 2000 m					
Terminal Screw Torque	M_{max}	4.5 Nm					
Conductor Cross Section (max.)		35 mm ² (Solid, Stranded) / 25 mm ² (Flexible)					
Mounting		35 mm DIN Rail, EN 60715					
Degree of Protection		IP20 (built-in)					
Housing Material		Thermoplastic: Extinguishing Degree UL 94 V-0					
Thermal Protection		Yes					
Operating State / Fault Indication		Green ok / Red defect					
Remote Contacts (RC)		Optional					
RC Switching Capacity		AC: 250 V / 0.5 A; DC: 250 V / 0.1 A; 125 V / 0.2 A; 75 V / 0.5 A					
RC Conductor Cross Section (max.)		1.5 mm ² (Solid)					
Order Information							
Ordering Code		75	150	275	320	385	440
SLP20-xxx/1		2007511	2015011	2027511	2032011	2038511	2044011
SLP20-xxx/1S (with remote contacts)		2007512	2015012	2027512	2032012	2038512	2044012
SLP20-xxx/0 (spare modules)		2007501	2015001	2027501	2032001	2038501	2044001

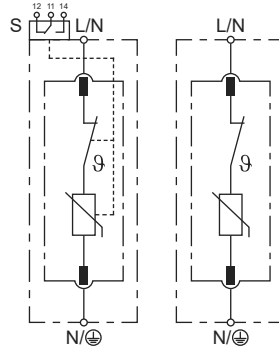


SLP20-xxx/1(S)

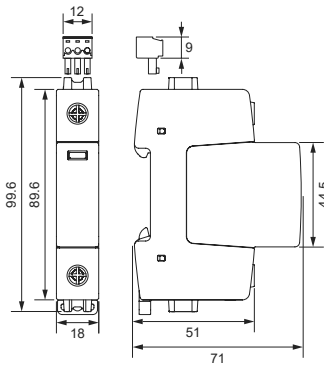
Internal Configuration

Legend

- L Line Conductor Terminal
- N Neutral Conductor Terminal
- ⊕ PE/G Conductor Terminal
- S Signalling Contacts Optional



Dimensions & Packaging

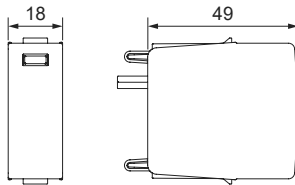


[mm]

Complete Unit

SLP20-xxx/1(S)	75	150	275	320	385	440
DIN 43880 Dimension	1 CTN					
Packaging Dimensions (H x W x L)	[260 x 220 x 330 mm]					
Standard Order Quantity	96 Units					

Spare Plug

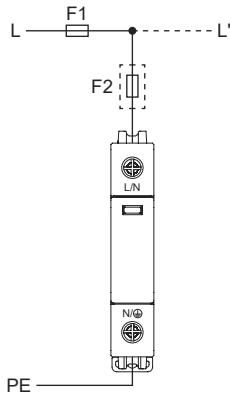


Single Unit

SLP20-xxx/0	75	150	275	320	385	440
DIN 43880 Dimension	1 CTN					
Packaging Dimensions (H x W x L)	[260 x 220 x 330 mm]					
Standard Order Quantity	120 Units					

Connection Diagram

TN-S, TN-C, TT (Single-phase, 1+0)



AC Surge Protective Device SLP20-xxx/2(S)

Class II • Class III • Type 2 • Type 3



Location of Use: Sub-Distribution Boards
 Network Systems: TN-S
 Mode of Protection: L-PE, N-PE
 Surge Ratings: $I_n = 10 \text{ kA}$ (8/20 μs)
 Open Circuit Voltage: $U_{oc} = 20 \text{ kV}$ (1.2/50 μs)
 IEC/EN Category: Class II+III / Type 2+3
 Protective Elements: High Energy MOV
 Housing: Pluggable Design
 Compliance: IEC 61643-11:2011
 EN 61643-11:2012

Technical Data

SLP20-xxx/2(S)		75	150	275	320	385	440
IEC Electrical							
Nominal AC Voltage (50/60 Hz)	U_o / U_n	60 V	120 V	230 V	230 V	230 V	400 V
Maximum Continuous Operating Voltage (AC)	U_c	75 V	150 V	275 V	320 V	385 V	440 V
Nominal Discharge Current (8/20 μs)	I_n	10 kA					
Maximum Discharge Current (8/20 μs)	I_{max}	20 kA					
Open Circuit Voltage (1.2/50 μs)	U_{oc}	20 kV					
Voltage Protection Level	U_p	300 V	600 V	1200 V	1400 V	1600 V	1800 V
Residual Current at U_c	I_{PE}	< 0.5 mA					
Response Time	t_A	< 25 ns					
Max. Backup Fuse		63 A gL / gG					
Short-Circuit Current Rating (AC)	I_{SCCR}	10 kA					
TOV Withstand 5 s	U_T	90 V	180 V	335 V	335 V	335 V	580 V
TOV 120 min	U_T	155 V	230 V	440 V	440 V	440 V	765 V
	mode	Withstand	Withstand	Safe Fail	Safe Fail	Safe Fail	Safe Fail
Number of Ports		1					
Mechanical & Environmental							
Operating Temperature Range	T_a	-40 °C to +70 °C					
Permissible Operating Humidity	RH	5% to 95%					
Atmospheric Pressure and Altitude		80 kPa to 106 kPa / -500 m to 2000 m					
Terminal Screw Torque	M_{max}	4.5 Nm					
Conductor Cross Section (max.)		35 mm ² (Solid, Stranded) / 25 mm ² (Flexible)					
Mounting		35 mm DIN Rail, EN 60715					
Degree of Protection		IP20 (built-in)					
Housing Material		Thermoplastic: Extinguishing Degree UL 94 V-0					
Thermal Protection		Yes					
Operating State / Fault Indication		Green ok / Red defect					
Remote Contacts (RC)		Optional					
RC Switching Capacity		AC: 250 V / 0.5 A; DC: 250 V / 0.1 A; 125 V / 0.2 A; 75 V / 0.5 A					
RC Conductor Cross Section (max.)		1.5 mm ² (Solid)					
Order Information							
Ordering Code		75	150	275	320	385	440
SLP20-xxx/2		2007521	2015021	2027521	2032021	2038521	2044021
SLP20-xxx/2S (with remote contacts)		2007522	2015022	2027522	2032022	2038522	2044022
SLP20-xxx/0 (spare modules)		2007501	2015001	2027501	2032001	2038501	2044001

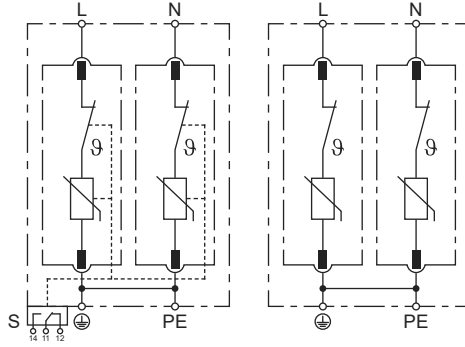


SLP20-xxx/2(S)

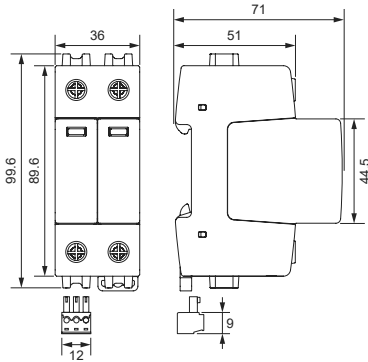
Internal Configuration

Legend

- L Line Conductor Terminal
- N Neutral Conductor Terminal
- ⊕ PE/G Conductor Terminal
- S Signalling Contacts Optional



Dimensions & Packaging

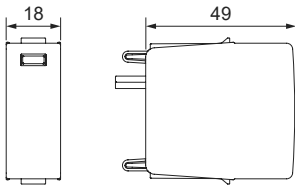


[mm]

Complete Unit

SLP20-xxx/2(S)	75	150	275	320	385	440
DIN 43880 Dimension	1 CTN					
Packaging Dimensions (H x W x L)	[260 x 220 x 330 mm]					
Standard Order Quantity	48 Units					

Spare Plug

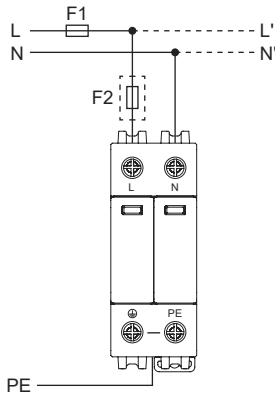


Single Unit

SLP20-xxx/0	75	150	275	320	385	440
DIN 43880 Dimension	1 CTN					
Packaging Dimensions (H x W x L)	[260 x 220 x 330 mm]					
Standard Order Quantity	120 Units					

Connection Diagram

TN-S (Single-phase, 2+0)



AC Surge Protective Device SLP20-xxx/3(S)

Class II • Class III • Type 2 • Type 3



Location of Use: Sub-Distribution Boards
 Network Systems: TN-C
 Mode of Protection: L-PEN
 Surge Ratings: $I_n = 10 \text{ kA}$ (8/20 μs)
 Open Circuit Voltage: $U_{oc} = 20 \text{ kV}$ (1.2/50 μs)
 IEC/EN Category: Class II+III / Type 2+3
 Protective Elements: High Energy MOV
 Housing: Pluggable Design
 Compliance: IEC 61643-11:2011
 EN 61643-11:2012

Technical Data

SLP20-xxx/3(S)		150	275	320	385	440
IEC Electrical						
Nominal AC Voltage (50/60 Hz)	U_o / U_n	120 V	230 V	230 V	230 V	400 V
Maximum Continuous Operating Voltage (AC)	U_c	150 V	275 V	320 V	385 V	440 V
Nominal Discharge Current (8/20 μs)	I_n			10 kA		
Maximum Discharge Current (8/20 μs)	I_{max}			20 kA		
Open Circuit Voltage (1.2/50 μs)	U_{oc}			20 kV		
Voltage Protection Level	U_p	600 V	1200 V	1400 V	1600 V	1800 V
Residual Current at U_c	I_{PE}			< 0.5 mA		
Response Time	t_A			< 25 ns		
Max. Backup Fuse				63 A gL / gG		
Short-Circuit Current Rating (AC)	I_{SCCR}			10 kA		
TOV Withstand 5 s	U_T	180 V	335 V	335 V	335 V	580 V
TOV 120 min	U_T	230 V	440 V	440 V	440 V	765 V
	mode	Withstand	Safe Fail	Safe Fail	Safe Fail	Safe Fail
Number of Ports				1		
Mechanical & Environmental						
Operating Temperature Range	T_a			-40 °C to +70 °C		
Permissible Operating Humidity	RH			5% to 95%		
Atmospheric Pressure and Altitude				80 kPa to 106 kPa / -500 m to 2000 m		
Terminal Screw Torque	M_{max}			4.5 Nm		
Conductor Cross Section (max.)				35 mm ² (Solid, Stranded) / 25 mm ² (Flexible)		
Mounting				35 mm DIN Rail, EN 60715		
Degree of Protection				IP20 (built-in)		
Housing Material				Thermoplastic: Extinguishing Degree UL 94 V-0		
Thermal Protection				Yes		
Operating State / Fault Indication				Green ok / Red defect		
Remote Contacts (RC)				Optional		
RC Switching Capacity				AC: 250 V / 0.5 A; DC: 250 V / 0.1 A; 125 V / 0.2 A; 75 V / 0.5 A		
RC Conductor Cross Section (max.)				1.5 mm ² (Solid)		
Order Information						
Ordering Code		150	275	320	385	440
SLP20-xxx/3		2015031	2027531	2032031	2038531	2044031
SLP20-xxx/3S (with remote contacts)		2015032	2027532	2032032	2038532	2044032
SLP20-xxx/0 (spare modules)		2015001	2027501	2032001	2038501	2044001

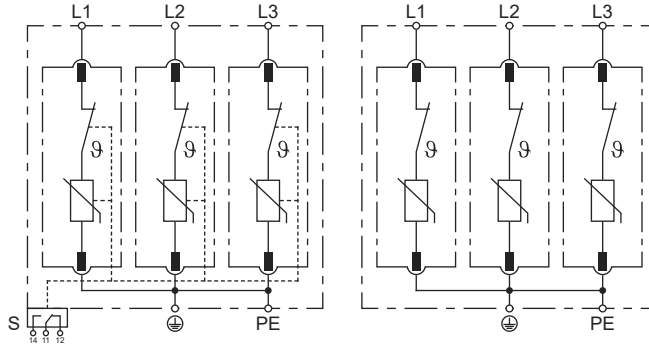


SLP20-xxx/3(S)

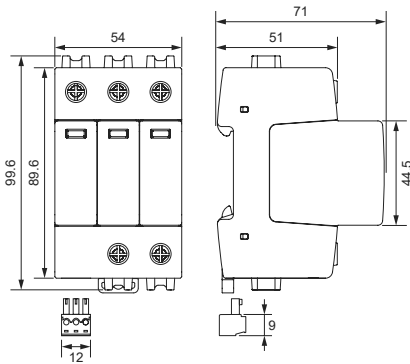
Internal Configuration

Legend

- L Line Conductor Terminal
- N Neutral Conductor Terminal
- ⊕ PE/G Conductor Terminal
- S Signalling Contacts Optional



Dimensions & Packaging

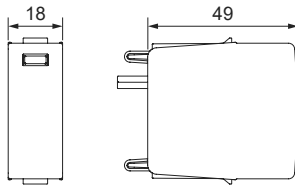


[mm]

Complete Unit

SLP20-xxx/3(S)	150	275	320	385	440
DIN 43880 Dimension	1 CTN				
Packaging Dimensions (H x W x L)	[260 x 220 x 330 mm]				
Standard Order Quantity	30 Units				

Spare Plug

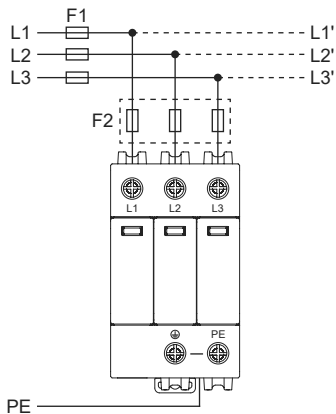


Single Unit

SLP20-xxx/0	150	275	320	385	440
DIN 43880 Dimension	1 CTN				
Packaging Dimensions (H x W x L)	[260 x 220 x 330 mm]				
Standard Order Quantity	120 Units				

Connection Diagram

TN-C (Three-phase, 3+0)



AC Surge Protective Device SLP20-xxx/4(S)

Class II • Class III • Type 2 • Type 3



Location of Use: Sub-Distribution Boards
 Network Systems: TN-S
 Mode of Protection: L-PE, N-PE
 Surge Ratings: $I_n = 10 \text{ kA}$ (8/20 μs)
 Open Circuit Voltage: $U_{oc} = 20 \text{ kV}$ (1.2/50 μs)
 IEC/EN Category: Class II+III / Type 2+3
 Protective Elements: High Energy MOV
 Housing: Pluggable Design
 Compliance: IEC 61643-11:2011
 EN 61643-11:2012

Technical Data

SLP20-xxx/4(S)		150	275	320	385	440
IEC Electrical						
Nominal AC Voltage (50/60 Hz)	U_o / U_n	120 V	230 V	230 V	230 V	400 V
Maximum Continuous Operating Voltage (AC)	U_c	150 V	275 V	320 V	385 V	440 V
Nominal Discharge Current (8/20 μs)	I_n			10 kA		
Maximum Discharge Current (8/20 μs)	I_{max}			20 kA		
Open Circuit Voltage (1.2/50 μs)	U_{oc}			20 kV		
Voltage Protection Level	U_p	600 V	1200 V	1400 V	1600 V	1800 V
Residual Current at U_c	I_{PE}			< 0.5 mA		
Response Time	t_A			< 25 ns		
Max. Backup Fuse				63 A gL / gG		
Short-Circuit Current Rating (AC)	I_{SCCR}			10 kA		
TOV Withstand 5 s	U_T	180 V	335 V	335 V	335 V	580 V
TOV 120 min	U_T	230 V	440 V	440 V	440 V	765 V
	mode	Withstand	Safe Fail	Safe Fail	Safe Fail	Safe Fail
Number of Ports				1		
Mechanical & Environmental						
Operating Temperature Range	T_a			-40 °C to +70 °C		
Permissible Operating Humidity	RH			5% to 95%		
Atmospheric Pressure and Altitude				80 kPa to 106 kPa / -500 m to 2000 m		
Terminal Screw Torque	M_{max}			4.5 Nm		
Conductor Cross Section (max.)				35 mm ² (Solid, Stranded) / 25 mm ² (Flexible)		
Mounting				35 mm DIN Rail, EN 60715		
Degree of Protection				IP20 (built-in)		
Housing Material				Thermoplastic: Extinguishing Degree UL 94 V-0		
Thermal Protection				Yes		
Operating State / Fault Indication				Green ok / Red defect		
Remote Contacts (RC)				Optional		
RC Switching Capacity				AC: 250 V / 0.5 A; DC: 250 V / 0.1 A; 125 V / 0.2 A; 75 V / 0.5 A		
RC Conductor Cross Section (max.)				1.5 mm ² (Solid)		
Order Information						
Ordering Code		150	275	320	385	440
SLP20-xxx/4		2015041	2027541	2032041	2038541	2044041
SLP20-xxx/4S (with remote contacts)		2015042	2027542	2032042	2038542	2044042
SLP20-xxx/0 (spare modules)		2015001	2027501	2032001	2038501	2044001

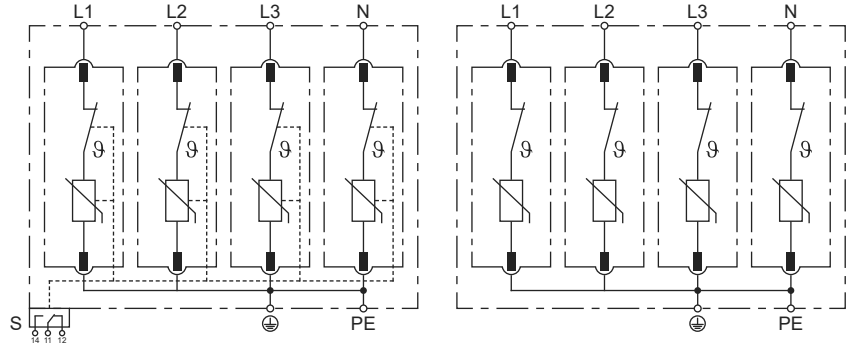


SLP20-xxx/4(S)

Internal Configuration

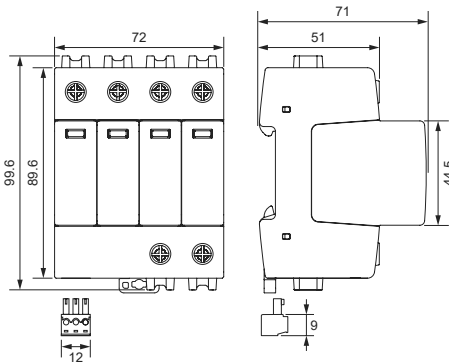
Legend

- L Line Conductor Terminal
- N Neutral Conductor Terminal
- ⊕ PE/G Conductor Terminal
- S Signalling Contacts Optional



Dimensions & Packaging

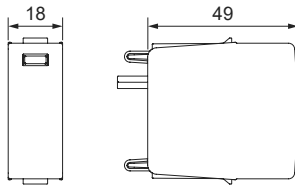
[mm]



Complete Unit

SLP20-xxx/4(S)	150	275	320	385	440
DIN 43880 Dimension	1 CTN				
Packaging Dimensions (H x W x L)	[260 x 220 x 330 mm]				
Standard Order Quantity	24 Units				

Spare Plug

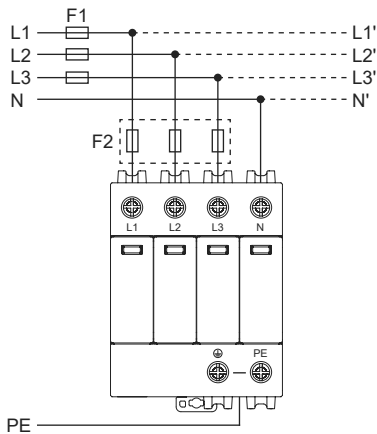


Single Unit

SLP20-xxx/0	150	275	320	385	440
DIN 43880 Dimension	1 CTN				
Packaging Dimensions (H x W x L)	[260 x 220 x 330 mm]				
Standard Order Quantity	120 Units				

Connection Diagram

TN-S (Three-phase, 4+0)



AC Surge Protective Device SLP20-xxx/1(S)+1

Class II • Class III • Type 2 • Type 3



Location of Use: Sub-Distribution Boards
 Network Systems: TN-S, TT
 Mode of Protection: L-N, N-PE
 Surge Ratings: $I_n = 10 \text{ kA}$ (8/20 μs)
 Open Circuit Voltage: $U_{oc} = 20 \text{ kV}$ (1.2/50 μs)
 IEC/EN Category: Class II+III / Type 2+3
 Protective Elements: High Energy MOV and GDT
 Housing: Pluggable Design
 Compliance: IEC 61643-11:2011
 EN 61643-11:2012

Technical Data

SLP20-xxx/1(S)+1		75	150	275	320	385	440
IEC Electrical							
Nominal AC Voltage (50/60 Hz)	U_o / U_n	60 V	120 V	230 V	230 V	230 V	400 V
Maximum Continuous Operating Voltage (AC)	(L-N) U_c	75 V	150 V	275 V	320 V	385 V	440 V
	(N-PE) U_c	255 V					
Nominal Discharge Current (8/20 μs)	(L-N) / (N-PE) I_n	10 kA / 10 kA					
Maximum Discharge Current (8/20 μs)	(L-N) / (N-PE) I_{max}	20 kA / 20 kA					
Open Circuit Voltage (1.2/50 μs)	U_{oc}	20 kV					
Voltage Protection Level	(L-N) / (N-PE) U_p	0.3 kV / 1.0 kV	0.6 kV / 1.0 kV	1.2 kV / 1.0 kV	1.4 kV / 1.0 kV	1.6 kV / 1.0 kV	1.8 kV / 1.0 kV
Follow Current Interrupt Rating	(N-PE) I_{fi}	100 A _{RMS}					
Residual Current at U_c	I_{PE}	none					
Response Time	(L-N) / (N-PE) t_A	< 25 ns / < 100 ns					
Max. Backup Fuse		63 A gL / gG					
Short-Circuit Current Rating (AC)	(L-N) I_{SCCR}	10 kA					
TOV Withstand 5 s	(L-N) U_T	90 V	180 V	335 V	335 V	335 V	580 V
TOV 120 min	(L-N) U_T	115 V	230 V	440 V	440 V	440 V	765 V
		mode	Withstand	Withstand	Safe Fail	Safe Fail	Safe Fail
TOV Withstand 200 ms	(N-PE) U_T	1200 V					
Number of Ports		1					
Mechanical & Environmental							
Operating Temperature Range	T_a	-40 °C to +70 °C					
Permissible Operating Humidity	RH	5% to 95%					
Atmospheric Pressure and Altitude		80 kPa to 106 kPa / -500 m to 2000 m					
Terminal Screw Torque	M_{max}	4.5 Nm					
Conductor Cross Section (max.)		35 mm ² (Solid, Stranded) / 25 mm ² (Flexible)					
Mounting		35 mm DIN Rail, EN 60715					
Degree of Protection		IP20 (built-in)					
Housing Material		Thermoplastic: Extinguishing Degree UL 94 V-0					
Thermal Protection		Yes					
Operating State / Fault Indication		Green ok / Red defect					
Remote Contacts (RC)		Optional					
RC Switching Capacity		AC: 250 V / 0.5 A; DC: 250 V / 0.1 A; 125 V / 0.2 A; 75 V / 0.5 A					
RC Conductor Cross Section (max.)		1.5 mm ² (Solid)					
Order Information							
Ordering Code		75	150	275	320	385	440
SLP20-xxx/1+1		2007513	2015013	2027513	2032013	2038513	2044013
SLP20-xxx/1S+1 (with remote contacts)		2007514	2015014	2027514	2032014	2038514	2044014
SLP20-xxx/0 (spare modules)		2007501	2015001	2027501	2032001	2038501	2044001
SLP20-255/0 (spare modules)		2025501	2025501	2025501	2025501	2025501	2025501

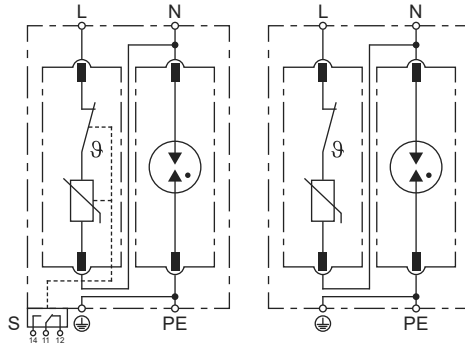


SLP20-xxx/1(S)+1

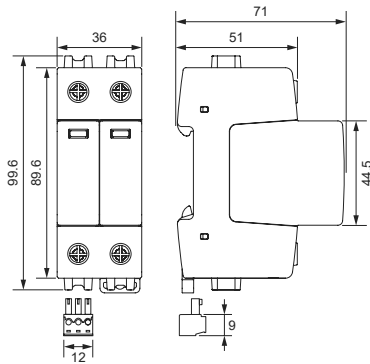
Internal Configuration

Legend

- L Line Conductor Terminal
- N Neutral Conductor Terminal
- ⊕ PE/G Conductor Terminal
- S Signalling Contacts Optional



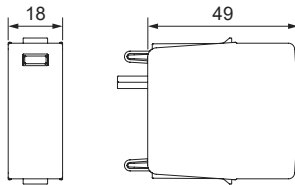
Dimensions & Packaging



[mm]

Complete Unit						
SLP20-xxx/1(S)+1	75	150	275	320	385	440
DIN 43880 Dimension	1 CTN					
Packaging Dimensions (H x W x L)	[260 x 220 x 330 mm]					
Standard Order Quantity	48 Units					

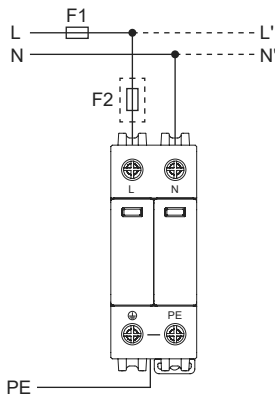
Spare Plug



Single Unit						
SLP20-xxx/0	75	150	275	320	385	440
SLP20-255/0	255					
DIN 43880 Dimension	1 CTN					
Packaging Dimensions (H x W x L)	[260 x 220 x 330 mm]					
Standard Order Quantity	120 Units					

Connection Diagram

TN-S, TT (Single-phase, 1+1)



AC Surge Protective Device SLP20-xxx/3(S)+1

Class II • Class III • Type 2 • Type 3



Location of Use: Sub-Distribution Boards
 Network Systems: TN-S, TT
 Mode of Protection: L-N, N-PE
 Surge Ratings: $I_n = 10 \text{ kA (8/20 } \mu\text{s)}$
 Open Circuit Voltage: $U_{oc} = 20 \text{ kV (1.2/50 } \mu\text{s)}$
 IEC/EN Category: Class II+III / Type 2+3
 Protective Elements: High Energy MOV and GDT
 Housing: Pluggable Design
 Compliance: IEC 61643-11:2011
 EN 61643-11:2012

Technical Data

SLP20-xxx/3(S)+1		150	275	320	385	440
IEC Electrical						
Nominal AC Voltage (50/60 Hz)	U_o / U_n	120 V	230 V	230 V	230 V	400 V
Maximum Continuous Operating Voltage (AC)	(L-N) U_c	150 V	275 V	320 V	385 V	440 V
	(N-PE) U_c			255 V		
Nominal Discharge Current (8/20 μs)	(L-N) / (N-PE) I_n			10 kA / 10 kA		
Maximum Discharge Current (8/20 μs)	(L-N) / (N-PE) I_{max}			20 kA / 20 kA		
Open Circuit Voltage (1.2/50 μs)	U_{oc}			20 kV		
Voltage Protection Level	(L-N) / (N-PE) U_p	0.6 kV / 1.0 kV	1.2 kV / 1.0 kV	1.4 kV / 1.0 kV	1.6 kV / 1.0 kV	1.8 kV / 1.0 kV
Follow Current Interrupt Rating	(N-PE) I_{fi}			100 A _{RMS}		
Residual Current at U_c	I_{PE}			none		
Response Time	(L-N) / (N-PE) t_A			< 25 ns / < 100 ns		
Max. Backup Fuse				63 A gL / gG		
Short-Circuit Current Rating (AC)	(L-N) I_{SCCR}			10 kA		
TOV Withstand 5 s	(L-N) U_T	180 V	335 V	335 V	335 V	580 V
TOV 120 min	(L-N) U_T	230 V	440 V	440 V	440 V	765 V
	mode	Withstand	Safe Fail	Safe Fail	Safe Fail	Safe Fail
TOV Withstand 200 ms	(N-PE) U_T			1200 V		
Number of Ports				1		
Mechanical & Environmental						
Operating Temperature Range	T_a	-40 °C to +70 °C				
Permissible Operating Humidity	RH	5% to 95%				
Atmospheric Pressure and Altitude		80 kPa to 106 kPa / -500 m to 2000 m				
Terminal Screw Torque	M_{max}	4.5 Nm				
Conductor Cross Section (max.)		35 mm ² (Solid, Stranded) / 25 mm ² (Flexible)				
Mounting		35 mm DIN Rail, EN 60715				
Degree of Protection		IP20 (built-in)				
Housing Material		Thermoplastic: Extinguishing Degree UL 94 V-0				
Thermal Protection		Yes				
Operating State / Fault Indication		Green ok / Red defect				
Remote Contacts (RC)		Optional				
RC Switching Capacity		AC: 250 V / 0.5 A; DC: 250 V / 0.1 A; 125 V / 0.2 A; 75 V / 0.5 A				
RC Conductor Cross Section (max.)		1.5 mm ² (Solid)				
Order Information						
Ordering Code		150	275	320	385	440
SLP20-xxx/3+1		2015033	2027533	2032033	2038533	2044033
SLP20-xxx/3S+1 (with remote contacts)		2015034	2027534	2032034	2038534	2044034
SLP20-xxx/0 (spare modules)		2015001	2027501	2032001	2038501	2044001
SLP20-255/0 (spare modules)		2025501	2025501	2025501	2025501	2025501

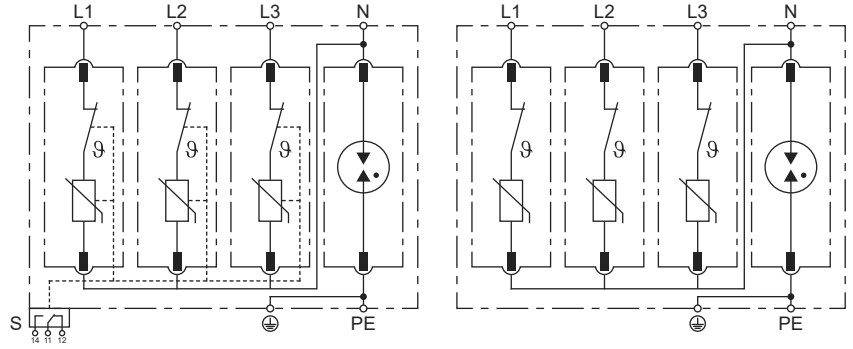


SLP20-xxx/3(S)+1

Internal Configuration

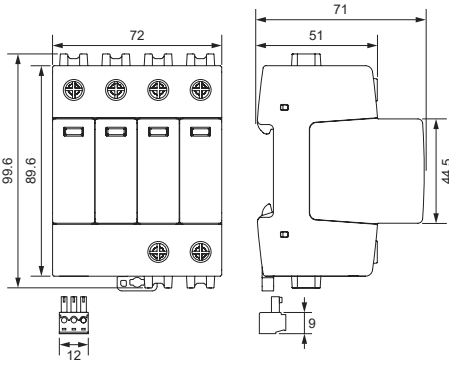
Legend

- L Line Conductor Terminal
- N Neutral Conductor Terminal
- ⊕ PE/G Conductor Terminal
- S Signalling Contacts Optional



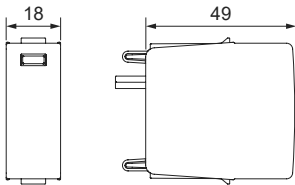
Dimensions & Packaging

[mm]



Complete Unit					
SLP20-xxx/3(S)+1	150	275	320	385	440
DIN 43880 Dimension	1 CTN				
Packaging Dimensions (H x W x L)	[260 x 220 x 330 mm]				
Standard Order Quantity	24 Units				

Spare Plug



Single Unit					
SLP20-xxx/0	150	275	320	385	440
SLP20-255/0	255				
DIN 43880 Dimension	1 CTN				
Packaging Dimensions (H x W x L)	[260 x 220 x 330 mm]				
Standard Order Quantity	120 Units				

Connection Diagram

TN-S, TT (Three-phase, 3+1)

