

# DC Surge Protective Ddevice

## SLP40-DCxxx/2(S)

Class II • Type 2



Location of Use: String box, Inverter  
 Mode of Protection: (DC+/-) - PE, (DC-/-) - PE  
 Surge Ratings:  $I_n = 20 \text{ kA (8/20 } \mu\text{s)}$   
 $I_{\text{Total}} = 40\text{kA (8/20 } \mu\text{s)}$   
 IEC/EN Category: Class II / Type 2  
 Protective Elements: High Energy MOV  
 Housing: Pluggable Design  
 Compliance: IEC/EN 61643-41

### Technical Data

SLP40-DCxxx/2(S)		100	125	150	180	275	350	460
<b>IEC Electrical</b>								
Rated Operational DC Voltage	$U_o/U_n$	75 V	95 V	115 V	150 V	210 V	275 V	350 V
Maximum Continuous Operating DC Voltage (DC+) - PE, (DC-) - PE	$U_c$	100 V	125 V	150 V	180 V	275 V	350 V	460 V
Nominal Discharge Current (8/20 $\mu\text{s}$ )	$I_n$				20 kA			
Total Discharge Current (8/20 $\mu\text{s}$ )	$I_{\text{Total}}$				40 kA			
Maximum Discharge Current (8/20 $\mu\text{s}$ )	$I_{\text{max}}$				40 kA			
Voltage Protection Level (DC+) - PE, (DC-) - PE	$U_p$	550 V	600 V	800 V	900 V	1000 V	1500 V	1800 V
Residual Current at $U_c$	$I_{\text{PE}}$				< 0.5 mA			
Response Time	$t_A$				< 25 ns			
Number of Ports					1			
<b>Mechanical &amp; Environmental</b>								
Operating Temperature Range	$T_a$	-40 °F to + 158 °F [-40 °C to + 70 °C]						
Permissible Operating Humidity	RH	5%...95%						
Atmospheric pressure and altitude		80k Pa ... 106k Pa / -500 m ... 2000 m						
Terminal Screw Torque	$M_{\text{max}}$	39.9 lbf-in [4.5 Nm]						
Conductor Cross Section (max)		2 AWG (Solid, Stranded) / 4 AWG (Flexible) 35 mm <sup>2</sup> (Solid, Stranded) / 25 mm <sup>2</sup> (Flexible)						
Mounting		35 mm DIN Rail, EN 60715						
Degree Of Protection		IP 20 (built-in)						
Housing Material		Thermoplastic: Extinguishing Degree UL 94V-0						
Thermal Protection		Yes						
Operating State / Fault Indication		Green ok / Red defect						
Remote Contacts (RC)		Optional						
RC Switching Capacity		AC: 250 V / 0.5 A; DC: 250 V / 0.1 A; 125 V / 0.2 A; 75 V / 0.5 A						
RC Conductor Cross Section (max)		16 AWG (Solid) / 1.5 mm <sup>2</sup> (Solid)						
<b>Order Information</b>								
Ordering Code		100	125	150	180	275	350	460
SLP40-DCxxx/2		4010021	4012521	4015025	4018021	4027525	4035021	4046021
SLP40-DCxxx/2S (with remote contacts)		4010022	4012522	4015026	4018022	4027526	4035022	4046022
SLP40-DCxxx/0 (spare modules)		4010002	4012502	4015002	4018002	4027502	4035002	4046002

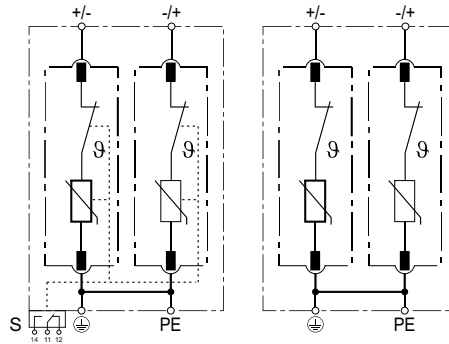


# SLP40-DCxxx/2(S)

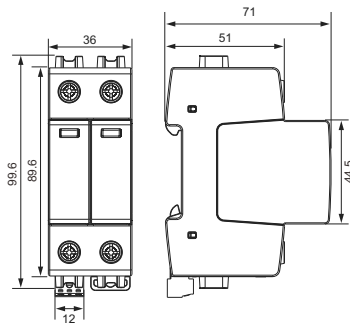
## Internal Configuration

Legend

- ⊕/PE PE/G Conductor Terminal
- S Signalling Contacts Optional



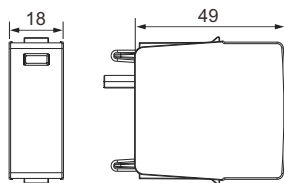
## Dimensions & Packaging



[mm]

Complete Unit							
SLP40-DCxxx/2(S)	100	125	150	180	275	350	460
DIN 43880 Dimension	1 CTN						
Packaging Dimensions (H x W x L)	[260 × 220 × 330 mm]						
Standard Order Quantity	48 Units						

## Spare Plug



Single Unit							
SLP40-DCxxx/0	100	125	150	180	275	350	460
DIN 43880 Dimension	1 CTN						
Packaging Dimensions (H x W x L)	[260 × 220 × 330 mm]						
Standard Order Quantity	120 Units						

## Connection Diagram

