

# PoE Surge protector DT-CAT 6A/EA

Class II • Type 2



- Support for Power over Ethernet + up to 1 A (PoE+ according to IEEE 802.3at)
- CAT 6A in the channel according to ANSI/TIA/EIA-568
- For installation in conformity with the lightning protection zone concept at the boundaries from 0-2 and higher

The “PoE Surge Protector” permits the use of Power over Ethernet with nominal currents of up to 1 A. It can be snapped directly onto the hat rail and uses it to create the necessary equipotential bonding. Alternatively, terminal protection using a separately connectable.

## Technical Data

### DT-CAT 6A/EA

#### IEC Electrical

IEC Electrical		Class II / Type 2
SPD according to EN 61643-21 / IEC 61643-21		Class II / Type 2
Max. continuous operating a.c. voltage	$U_c$	41 V
Max. continuous operating d.c. voltage	$U_c$	58 V
Max. continuous operating d.c. voltage pair-pair (PoE)	$U_c$	57 V
Rated current	$I_L$	1 A
Impulse durability (Line-Line)		C1: 500 V / 250 A
Nominal discharge current C2 (Total)		7 kA
Impulse durability (Line-PE)		C2: 5 kV / 2.5 kA
Impulse durability (Line-PE)		C3: 1000 V / 10 A
Impulse durability (Line-PE)		C1: 1000 V / 500 A
Total discharge current (10/350)		2.5 kA
Protection level Up C1 (Line-Line)		500 V
Protection level Up C2 (Line-Earth)		600 V
Protection level Up C3 (Line-Earth)		600 V
Insertion loss at 250 MHz		< 2 dB
Capacitance line-line		< 165 pF
Capacitance line-PG		< 255 pF
Range of operating temperatures	C	-40°C / + 70°C
Degree of protection	$C_c$	IP 20
Connection (input / output)	$T_u$	RJ45 / RJ45
Pinning		1 / 2, 3 / 6, 4 / 5, 7 / 8
Enclosure material		Aluminum housing
Earthing via		Connecting line
Transmission class according to ISO/IEC 11801		Cat. 6
Transmission class according to EN 50173-1		Class EA
Transmission class according to ANSI/TIA/EIA-568		Cat. 6A in the channel
Approvals		TUV CB
Mounting		35 mm DIN Rail, EN 60715

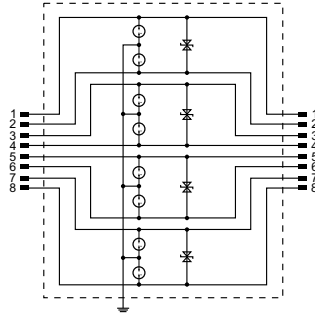
#### Order Information

Ordering Code	58
DT-CAT 6A/EA	0074158

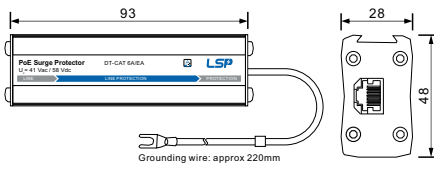


## DT-CAT 6A/EA

### Internal Configuration



### Dimensions & Packaging



[mm]

#### Complete Unit

DIN 43880 Dimension	1 CTN
Packaging Dimensions (H x W x L)	[260 × 220 × 330 mm]
Standard Order Quantity	42 Units

