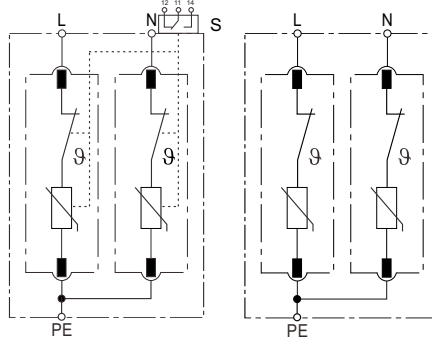


SLP20K-xxx/2(S)

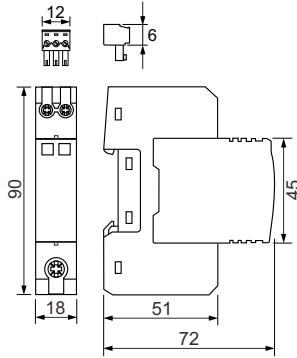
Internal Configuration

Legend

- L Line Conductor Terminal
- N Neutral Conductor Terminal
- ⊕ PE/G Conductor Terminal
- S Signalling Contacts Optional



Dimensions & Packaging

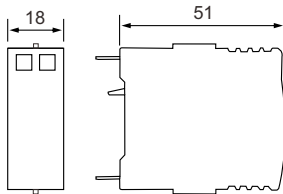


[mm]

Complete Unit

SLP20K-xxx/1(S)	75	150	275	320	385	440
DIN 43880 Dimension	1 CTN					
Packaging Dimensions (H x W x L)	[260 × 220 × 330 mm]					
Standard Order Quantity	96 Units					

Spare Plug

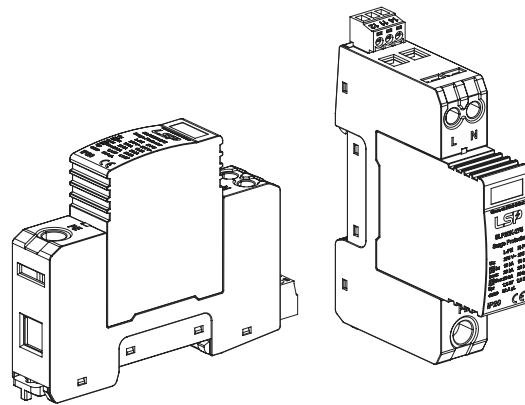
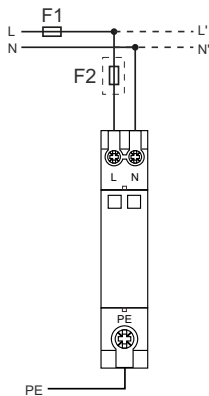


Single Unit

SLP20K-xxx/0	75	150	275	320	385	440
DIN 43880 Dimension	1 CTN					
Packaging Dimensions (H x W x L)	[260 × 220 × 330 mm]					
Standard Order Quantity	120 Units					

Connection Diagram

TN-S (Single-phase, 2+0)

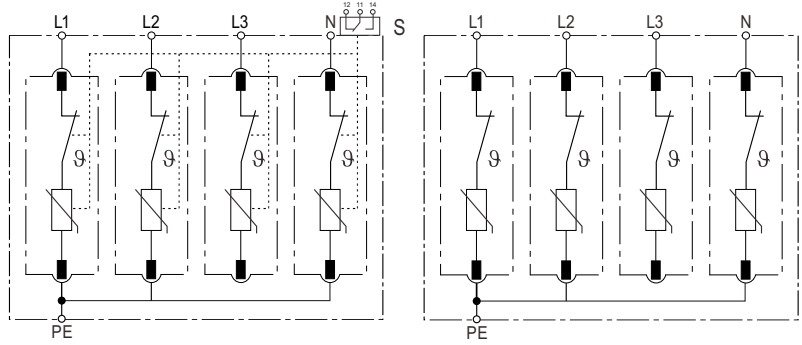


SLP40K-xxx/4(S)

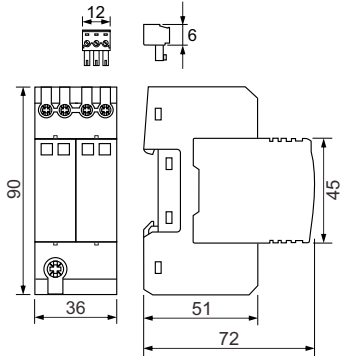
Internal Configuration

Legend

- L Line Conductor Terminal
- N Neutral Conductor Terminal
- ⊕ PE/G Conductor Terminal
- S Signalling Contacts Optional



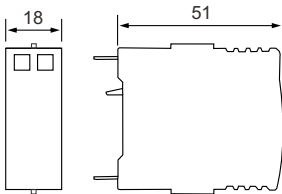
Dimensions & Packaging



[mm]

Complete Unit					
SLP20K-xxx/4(S)	150	275	320	385	440
DIN 43880 Dimension	1 CTN				
Packaging Dimensions (H x W x L)	[260 x 220 x 330 mm]				
Standard Order Quantity	48 Units				

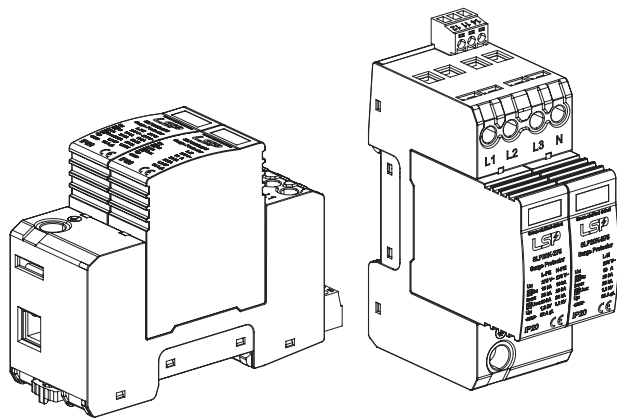
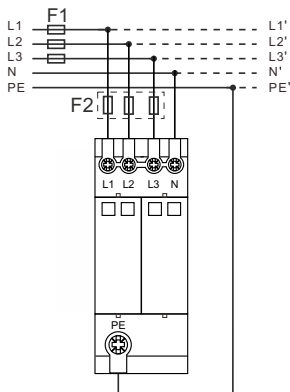
Spare Plug



Single Unit					
SLP20K-xxx/0	150	275	320	385	440
DIN 43880 Dimension	1 CTN				
Packaging Dimensions (H x W x L)	[260 x 220 x 330 mm]				
Standard Order Quantity	120 Units				

Connection Diagram

TN-S (Three-phase, 4+0)

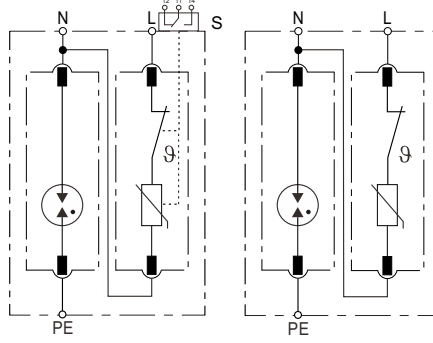


SLP20K-xxx/1(S)+1

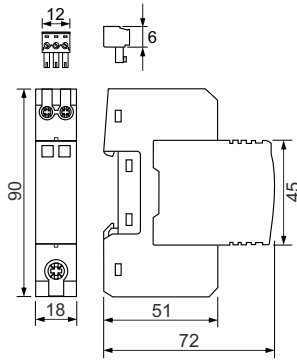
Internal Configuration

Legend

- L Line Conductor Terminal
- N Neutral Conductor Terminal
- ⊕ PE/G Conductor Terminal
- S Signalling Contacts Optional



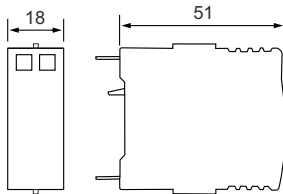
Dimensions & Packaging



[mm]

Complete Unit						
SLP20K-xxx/1(S)+1	75	150	275	320	385	440
DIN 43880 Dimension	1 CTN					
Packaging Dimensions (H x W x L)	[260 x 220 x 330 mm]					
Standard Order Quantity	96 Units					

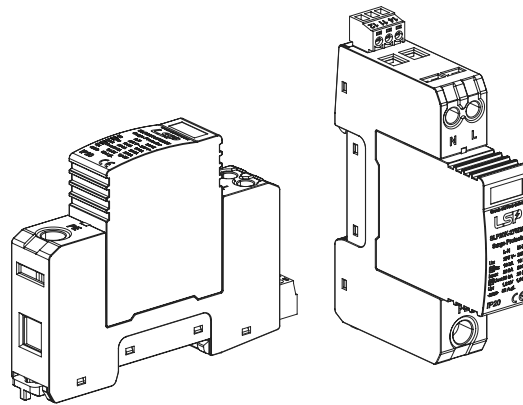
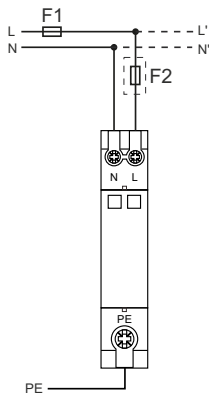
Spare Plug



Single Unit						
SLP20K-xxx/0	75	150	275	320	385	440
SLP20K-255/0	255					
DIN 43880 Dimension	1 CTN					
Packaging Dimensions (H x W x L)	[260 x 220 x 330 mm]					
Standard Order Quantity	120 Units					

Connection Diagram

TN-S, TT (Single-phase, 1+1)



Compact AC Surge Protective Device

SLP20K-xxx/3(S)+1

Class II • Class III • Type 2 • Type 3

Location of Use: Sub-Distribution Boards
 Network Systems: TT, TN-S
 Mode of Protection: L-N, N-PE
 Surge Ratings: $I_n = 10 \text{ kA (8/20 } \mu\text{s)}$
 IEC/EN Category: Class II / Type 2
 Protective Elements: High Energy MOV and GDT
 Housing: Pluggable Design
 Compliance: IEC 61643-11:2011
 EN 61643-11:2012

Technical Data

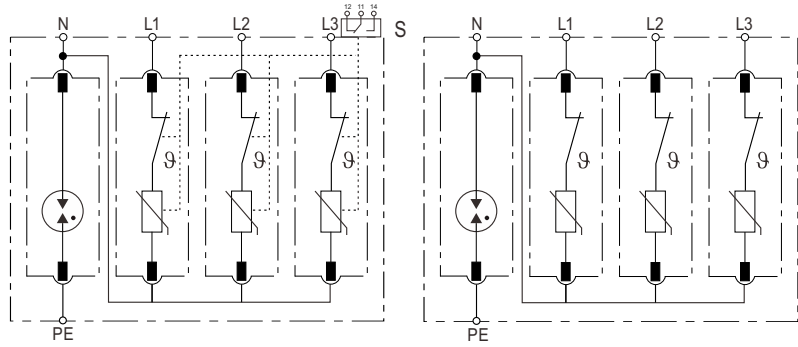
SLP20K-xxx/3(S)+1	150	275	320	385	440
IEC Electrical					
Nominal AC Voltage (50/60Hz)	120 V	230 V	230 V	230 V	400 V
Maximum Continuous Operating Voltage	(L - N) U_c 150 V	275 V	320 V	385 V	440 V
	(N - PE) U_c		255 V		
Nominal Discharge Current (8/20 μs)	(L - N) / (N - PE) I_n		10kA / 10kA		
Maximum Discharge Current (8/20 μs)	(L - N) / (N - PE) I_{max}		20kA / 20kA		
Open circuit voltage (1.2/50 μs)	U_{oc}		20 kV		
Voltage Protection Level	(L - N) / (N - PE) U_p 0.6 kV / 1.0 kV	1.2 kV / 1.0 kV	1.4 kV / 1.0 kV	1.6 kV / 1.0 kV	1.8 kV / 1.0 kV
Follow Current Interrupt Rating	(N - PE) I_{fi}		100A _{RMS}		
Response Time	(L - N) / (N - PE) t_A		< 25 ns / < 100 ns		
Back-Up Fuse (max)			32 A gL / gG		
Short-Circuit Current Rating (AC)	(L - N) I_{SCCR}		10 kA		
TOV Withstand 5s	(L - N) U_T 180 V	335 V	335 V	335 V	580 V
TOV 120min	(L - N) U_T 230 V	440 V	440 V	440 V	765 V
	mode Withstand	Safe Fail	Safe Fail	Safe Fail	Safe Fail
TOV Withstand 200ms	(N - PE) U_T		1200 V		
Number of Ports			1		
Mechanical & Environmental					
Operating Temperature Range	T_a	-40 °F to + 158 °F [-40 °C to + 70 °C]			
Permissible Operating Humidity	RH	5%...95%			
Atmospheric pressure and altitude		80k Pa ... 106k Pa / -500 m ... 2000 m			
Terminal Screw Torque	(L, N) M_{max}	13.3 lbf-in [1.5 Nm]			
	(PE) M_{max}	39.9 lbf-in [4.5 Nm]			
Conductor Cross Section (max)	(L, N)	5 AWG (Solid, Stranded) / 7 AWG (Flexible)			
		16 mm ² (Solid, Stranded) / 10 mm ² (Flexible)			
	(PE)	2 AWG (Solid, Stranded) / 4 AWG (Flexible)			
		35 mm ² (Solid, Stranded) / 25 mm ² (Flexible)			
Mounting		35 mm DIN Rail, EN 60715			
Degree of Protection		IP 20 (built-in)			
Housing Material		Thermoplastic: Extinguishing Degree UL 94V-0			
Thermal Protection		Yes			
Operating State / Fault Indication		Green ok / Red defect			
Remote Contacts (RC)		Optional			
RC Switching Capacity		AC: 250 V / 0.5 A; DC: 250 V / 0.1 A; 125 V / 0.2 A; 75 V / 0.5 A			
RC Conductor Cross Section (max)		16 AWG (Solid) / 1.5 mm ² (Solid)			
RC Terminal Screw Torque		2.2 lbf-in [0.25 Nm]			
Order Information					
Ordering Code	150	275	320	385	440
SLP20K-xxx/3+1	K2015033	K2027533	K2032033	K2038533	K2044033
SLP20K-xxx/3S+1 (with remote contacts)	K2015034	K2027534	K2032034	K2038534	K2044034
SLP20K-xxx/0 (spare modules)	K2015001	K2027501	K2032001	K2038501	K2044001
SLP20K-xxx/255/0 (spare modules)	K2015002	K2027502	K2032002	K2038502	K2044002

SLP20K-xxx/3(S)+1

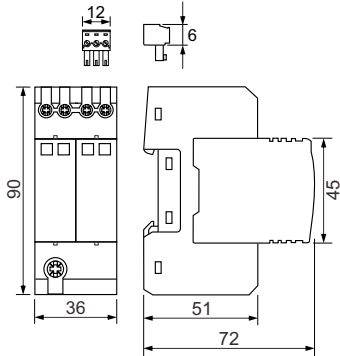
Internal Configuration

Legend

- L Line Conductor Terminal
- N Neutral Conductor Terminal
- ⊕ PE/G Conductor Terminal
- S Signalling Contacts Optional



Dimensions & Packaging

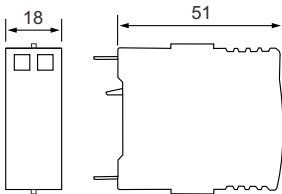


[mm]

Complete Unit

SLP20K-xxx/3(S)+1	150	275	320	385	440
DIN 43880 Dimension	1 CTN				
Packaging Dimensions (H x W x L)	[260 × 220 × 330 mm]				
Standard Order Quantity	48 Units				

Spare Plug



Single Unit

SLP20K-xxx/0	150	275	320	385	440
SLP20K-255/0	255				
DIN 43880 Dimension	1 CTN				
Packaging Dimensions (H x W x L)	[260 × 220 × 330 mm]				
Standard Order Quantity	120 Units				

Connection Diagram

TN-S, TT (Three-phase, 3+1)

