

PV Surge Protective Device

SLP-PVxxx-(S)

Class II • Type 2



Location of Use: String box, Inverter
 Mode of Protection: (DC+) - PE, (DC-) - PE, (DC+) - (DC-)
 Surge Ratings: $I_n = 20 \text{ kA (8/20 } \mu\text{s)}$
 $I_{\text{Total}} = 40 \text{ kA (8/20 } \mu\text{s)}$
 IEC/EN Category: Class II / Type 2
 Protective Elements: High Energy MOV
 Housing: Pluggable Design
 Compliance: IEC 61643-31:2018
 EN 61643-31:2019

Technical Data

| SLP-PVxxx-(S) | | 600 | 1000 | 1200 | 1500 | |
|---|------------------------|--------------------|--|----------|---------|--------|
| IEC Electrical | | | | | | |
| Maximum Continuous Operating DC Voltage | (DC+) - PE, (DC-) - PE | U_{CPV} | 600 V | 1000 V | 1200 V | 1500 V |
| | (DC+) - (DC-) | U_{CPV} | - | 1000 V | 1200 V | 1500 V |
| Nominal Discharge Current (8/20 μs) | | I_n | | 20 kA | | |
| Total Discharge Current (8/20 μs) | | I_{Total} | | 40 kA | | |
| Maximum Discharge Current (8/20 μs) | | I_{max} | | 40 kA | | |
| Voltage Protection Level | (DC+) - PE, (DC-) - PE | U_p | 2200 V | 4000 V | 4400 V | 5200 V |
| | (DC+) - (DC-) | U_p | - | 4000 V | 4400 V | 5200 V |
| Residual Current at U_c | | I_{PE} | | < 0.5 mA | | |
| Response Time | | t_A | | < 25 ns | | |
| Short-Circuit Current Rating | | I_{SCPV} | | 10000 A | | |
| Number of Ports | | | | 1 | | |
| Mechanical & Environmental | | | | | | |
| Operating Temperature Range | | T_a | -40 °F to + 158 °F [-40 °C to + 70 °C] | | | |
| Permissible Operating Humidity | | RH | 5%...95% | | | |
| Atmospheric pressure and altitude | | | 80k Pa ... 106k Pa / -500 m ... 2000 m | | | |
| Terminal Screw Torque | | M_{max} | 39.9 lbf-in [4,5 Nm] | | | |
| Conductor Cross Section (max) | | | 2 AWG (Solid, Stranded) / 4 AWG (Flexible) | | | |
| | | | 35 mm ² (Solid, Stranded) / 25 mm ² (Flexible) | | | |
| Mounting | | | 35 mm DIN Rail, EN 60715 | | | |
| Degree Of Protection | | | IP 20 (built-in) | | | |
| Housing Material | | | Thermoplastic: Extinguishing Degree UL 94V-0 | | | |
| Thermal Protection | | | Yes | | | |
| Operating State / Fault Indication | | | Green ok / Red defect | | | |
| Remote Contacts (RC) | | | Optional | | | |
| RC Switching Capacity | | | AC: 250 V / 0.5 A; DC: 250 V / 0.1 A; 125 V / 0.2 A; 75 V / 0.5 A | | | |
| RC Conductor Cross Section (max) | | | 16 AWG (Solid) / 1.5 mm ² (Solid) | | | |
| Order Information | | | | | | |
| Ordering Code | | 600 | 1000 | 1200 | 1500 | |
| SLP-PVxxx | | 4060025 | 4010235 | 4012231 | 4015231 | |
| SLP-PVxxx-(S) (with remote contacts) | | 4060026 | 4010236 | 4012232 | 4015232 | |
| SLP-PVxxx/0 (spare modules) | | 4060002 | 4010202 | 4012202 | 4015202 | |



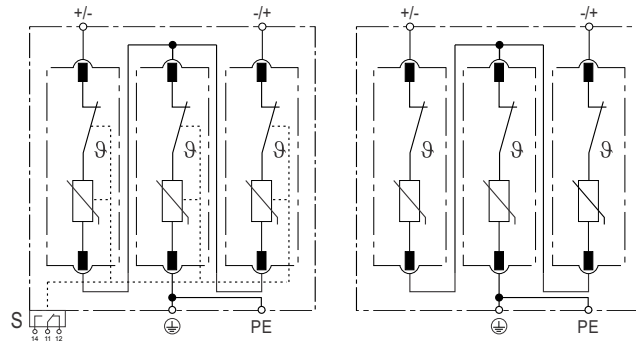
SLP-PVxxx-(S)

Internal Configuration

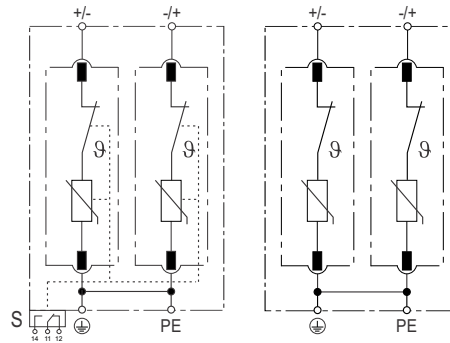
Legend

- ⊕/PE PE/G Conductor Terminal
- S Signalling Contacts Optional

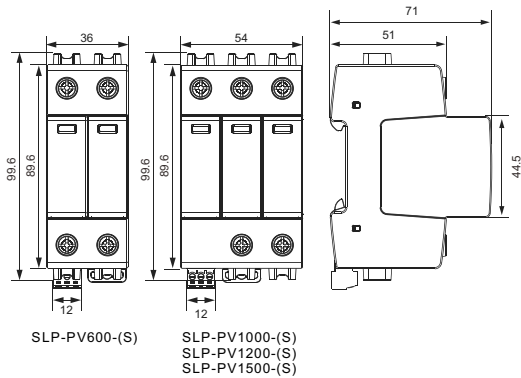
SLP-PV1000-(S), SLP-PV1200-(S), SLP-PV1500-(S)



SLP-PV600-(S)



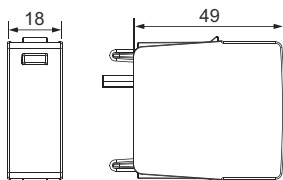
Dimensions & Packaging



[mm]

| Complete Unit | | | | |
|----------------------------------|----------------------|----------|----------|----------|
| SLP-PVxxx-(S) | 600 | 1000 | 1200 | 1500 |
| DIN 43880 Dimension | 1 CTN | | | |
| Packaging Dimensions (H x W x L) | [260 × 220 × 330 mm] | | | |
| Standard Order Quantity | 48 Units | 30 Units | 30 Units | 30 Units |

Spare Plug



| Single Unit | | | | |
|----------------------------------|----------------------|------|------|------|
| SLP-PVxxx/0 | 600 | 1000 | 1200 | 1500 |
| DIN 43880 Dimension | 1 CTN | | | |
| Packaging Dimensions (H x W x L) | [260 × 220 × 330 mm] | | | |
| Standard Order Quantity | 120 Units | | | |