

# DC Surge Protective Ddevice

## SLP20-DCxxx/2(S)

Class II • Type 2



Location of Use: String box, Inverter  
 Mode of Protection: (DC+/-) - PE, (DC-/-) - PE  
 Surge Ratings:  $I_n = 10 \text{ kA} - 15 \text{ kA} (8/20 \mu\text{s})$   
 $I_{\text{Total}} = 20 \text{ kA} (8/20 \mu\text{s})$   
 IEC/EN Category: Class II / Type 2  
 Protective Elements: High Energy MOV  
 Housing: Pluggable Design  
 Compliance: IEC/EN 61643-41

### Technical Data

SLP20-DCxxx/2(S)		24	38
<b>IEC Electrical</b>			
Rated Operational DC Voltage	$U_o/U_n$	12 V	24 V
Maximum Continuous Operating DC Voltage (DC+) - PE, (DC-) - PE	$U_c$	24 V	38 V
Nominal Discharge Current (8/20 $\mu\text{s}$ )	$I_n$	10 kA	10 kA
Total Discharge Current (8/20 $\mu\text{s}$ )	$I_{\text{Total}}$		20 kA
Maximum Discharge Current (8/20 $\mu\text{s}$ )	$I_{\text{max}}$		20 kA
Voltage Protection Level (DC+) - PE, (DC-) - PE	$U_p$	250 V	250 V
Residual Current at $U_c$	$I_{\text{PE}}$		< 0.5 mA
Response Time	$t_A$		< 25 ns
Number of Ports			1
<b>Mechanical &amp; Environmental</b>			
Operating Temperature Range	$T_a$	-40 °F to + 158 °F [-40 °C to + 70 °C]	
Permissible Operating Humidity	RH	5%...95%	
Atmospheric pressure and altitude		80k Pa ... 106k Pa / -500 m ... 2000 m	
Terminal Screw Torque	$M_{\text{max}}$	39.9 lbf-in [4.5 Nm]	
Conductor Cross Section (max)		2 AWG (Solid, Stranded) / 4 AWG (Flexible) 35 mm <sup>2</sup> (Solid, Stranded) / 25 mm <sup>2</sup> (Flexible)	
Mounting		35 mm DIN Rail, EN 60715	
Degree Of Protection		IP 20 (built-in)	
Housing Material		Thermoplastic: Extinguishing Degree UL 94V-0	
Thermal Protection		Yes	
Operating State / Fault Indication		Green ok / Red defect	
Remote Contacts (RC)		Optional	
RC Switching Capacity		AC: 250 V / 0.5 A; DC: 250 V / 0.1 A; 125 V / 0.2 A; 75 V / 0.5 A	
RC Conductor Cross Section (max)		16 AWG (Solid) / 1.5 mm <sup>2</sup> (Solid)	
<b>Order Information</b>			
Ordering Code		24	38
SLP20-DCxxx/2		2002421	2003821
SLP20-DCxxx/2S (with remote contacts)		2002422	2003822
SLP20-DCxxx/0 (spare modules)		2002402	2003802

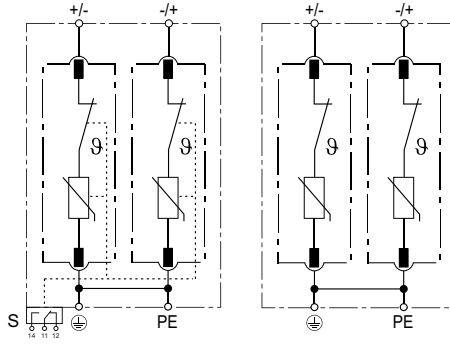


## SLP20-DCxxx/2(S)

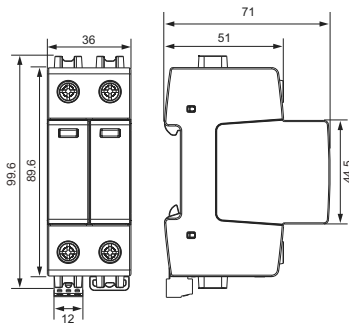
### Internal Configuration

Legend

- ⊕/PE PE/G Conductor Terminal
- S Signalling Contacts Optional



### Dimensions & Packaging

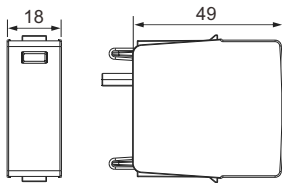


[mm]

#### Complete Unit

SLP20-DCxxx/2(S)	24	38
DIN 43880 Dimension	1 CTN	
Packaging Dimensions (H x W x L)	[260 × 220 × 330 mm]	
Standard Order Quantity	48 Units	

### Spare Plug



#### Single Unit

SLP20-DCxxx/0	24	38
DIN 43880 Dimension	1 CTN	
Packaging Dimensions (H x W x L)	[260 × 220 × 330 mm]	
Standard Order Quantity	120 Units	

### Connection Diagram

