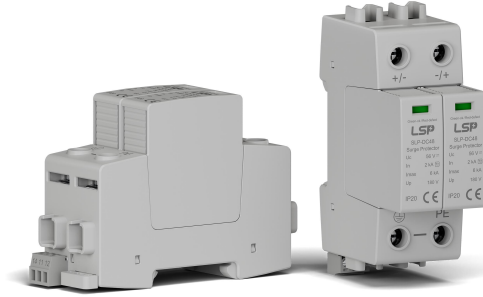


# DC Surge Protective Ddevice

## SLP-DCxxx/2(S)

Class II • Type 2



Location of Use: String box, Inverter  
 Mode of Protection: (DC+/-) - PE, (DC-/+) - PE  
 Surge Ratings:  $I_n = 1 \text{ kA to } 2 \text{ kA (8/20 } \mu\text{s)}$   
 $I_{\text{max}} = 2 \text{ kA to } 6 \text{ kA (8/20 } \mu\text{s)}$   
 IEC/EN Category: Class II / Type 2  
 Protective Elements: High Energy MOV  
 Housing: Pluggable Design  
 Compliance: IEC/EN 61643-41

### Technical Data

#### SLP-DCxxx/2(S)

		12	24	48	75	95	110	130
<b>IEC Electrical</b>								
Rated Operational DC Voltage	$U_o/U_n$	12 Vdc	24 Vdc	48 Vdc	75 Vdc	95 Vdc	110 Vdc	130 Vdc
Maximum Continuous Operating DC Voltage (DC+) - PE, (DC-) - PE	$U_c$	15 Vdc	30 Vdc	56 Vdc	85 Vdc	110 Vdc	125 Vdc	150 Vdc
Nominal Discharge Current (8/20 $\mu\text{s}$ )	$I_n$	1 kA	1 kA	2 kA	2 kA	2 kA	2 kA	2 kA
Total Discharge Current (8/20 $\mu\text{s}$ )	$I_{\text{total}}$	2 kA	2 kA	4 kA	4 kA	4 kA	4 kA	4 kA
Maximum Discharge Current (8/20 $\mu\text{s}$ )	$I_{\text{max}}$	2 kA	2 kA	6 kA	6 kA	6 kA	6 kA	6 kA
Voltage Protection Level (DC+) - PE, (DC-) - PE	$U_p$	85 V	105 V	180 V	250 V	300 kV	350 V	400 V
Residual Current at $U_c$	$I_{\text{PE}}$	< 0.5 mA						
Response Time	$t_A$	< 25 ns						
Number of Ports		1						
<b>Mechanical &amp; Environmental</b>								
Operating Temperature Range	$T_a$	-40 °F to + 158 °F [-40 °C to + 70 °C]						
Permissible Operating Humidity	RH	5%...95%						
Atmospheric pressure and altitude		80k Pa ... 106k Pa / -500 m ... 2000 m						
Terminal Screw Torque	$M_{\text{max}}$	39.9 lbf-in [4.5 Nm]						
Conductor Cross Section (max)		2 AWG (Solid, Stranded) / 4 AWG (Flexible) 35 mm <sup>2</sup> (Solid, Stranded) / 25 mm <sup>2</sup> (Flexible)						
Mounting		35 mm DIN Rail, EN 60715						
Degree Of Protection		IP 20 (built-in)						
Housing Material		Thermoplastic: Extinguishing Degree UL 94V-0						
Thermal Protection		Yes						
Operating State / Fault Indication		Green ok / Red defect						
Remote Contacts (RC)		Optional						
RC Switching Capacity		AC: 250 V / 0.5 A; DC: 250 V / 0.1 A; 125 V / 0.2 A; 75 V / 0.5 A						
RC Conductor Cross Section (max)		16 AWG (Solid) / 1.5 mm <sup>2</sup> (Solid)						
<b>Order Information</b>								
Ordering Code		12	24	48	75	95	110	130
SLP-DCxxx/2		0201221	0202421	0604821	0607521	0609521	0611021	0613021
SLP-DCxxx/2S (With remote contacts)		0201222	0202422	0604822	0607522	0609522	0611022	0613022
SLP-DCxxx/0 (spare modules)		0201201	0202401	0604801	0607501	0609501	0611001	0613001

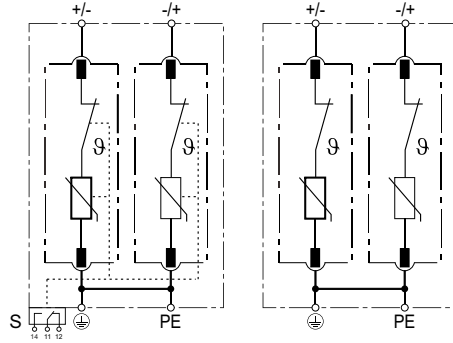


# SLP-DCxxx/2(S)

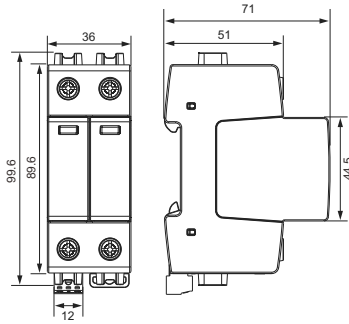
## Internal Configuration

### Legend

- ⊕/PE PE/G Conductor Terminal
- S Signalling Contacts Optional

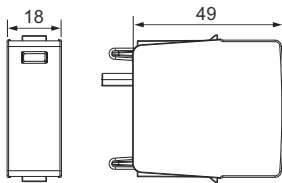


## Dimensions & Packaging



Complete Unit							
SLP-DCxxx/2(S)	12	24	48	75	95	110	130
DIN 43880 Dimension	1 CTN						
Packaging Dimensions (H x W x L)	[260 x 220 x 330 mm]						
Standard Order Quantity	48 Units						

## Spare Plug



Single Unit							
SLP-DCxxx/0	12	24	48	75	95	110	130
DIN 43880 Dimension	1 CTN						
Packaging Dimensions (H x W x L)	[260 x 220 x 330 mm]						
Standard Order Quantity	120 Units						

## Connection Diagram

