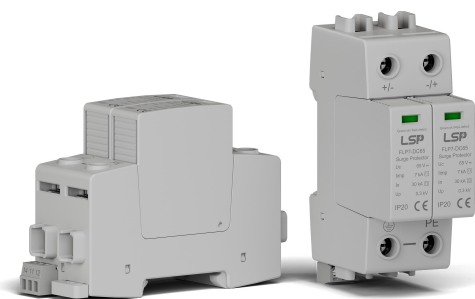


DC Surge Protective Ddevice

FLP7-DC65/2(S)

Class I • Class II • Type 1 • Type 2



Location of Use: String box, Inverter
 Mode of Protection: (DC+/-) - PE, (DC-/-) - PE
 Surge Ratings: $I_{imp} = 7 \text{ kA}$ (10/350 μs)
 $I_n = 30 \text{ kA}$ (8/20 μs)
 IEC/EN Category: Class I+II / Type 1+2
 Protective Elements: High Energy MOV
 Housing: Pluggable Design
 Compliance: IEC/EN 61643-41

Technical Data

FLP7-DCxxx/2(S)

65

IEC Electrical

Rated Operational DC Voltage	U_o/U_n	48 V
Maximum Continuous Operating DC Voltage (DC+) - PE, (DC-) - PE	U_c	65 V
Residual current - Leakage current at U_c	I_{pe}	< 0.5 mA
Nominal Discharge Current - 15 x 8/20 μs impulses	I_n	30 kA
Maximum Discharge Current Max. withstand 8/20 μs	I_{max}	70 kA
Impulse Discharge Current Max. withstand 10/350 μs	I_{imp}	7 kA
Total lightning current Max. total withstand 10/350 μs	I_{total}	14 kA
Voltage Protection Level	U_p	0.3 kV
Response Time	t_A	< 25 ns
Number of Ports		1

Mechanical & Environmental

Operating Temperature Range	T_a	-40 °F to + 158 °F [-40 °C to + 70 °C]
Permissible Operating Humidity	RH	5%...95%
Atmospheric pressure and altitude		80k Pa ... 106k Pa / -500 m ... 2000 m
Terminal Screw Torque	M_{max}	39.9 lbf-in [4.5 Nm]
Conductor Cross Section (max)		2 AWG (Solid, Stranded) / 4 AWG (Flexible) 35 mm ² (Solid, Stranded) / 25 mm ² (Flexible)
Mounting		35 mm DIN Rail, EN 60715
Degree Of Protection		IP 20 (built-in)
Housing Material		Thermoplastic: Extinguishing Degree UL 94V-0
Thermal Protection		Yes
Operating State / Fault Indication		Green ok / Red defect
Remote Contacts (RC)		Optional
RC Switching Capacity		AC: 250 V / 0.5 A; DC: 250 V / 0.1 A; 125 V / 0.2 A; 75 V / 0.5 A
RC Conductor Cross Section (max)		16 AWG (Solid) / 1.5 mm ² (Solid)

Order Information

Ordering Code	65
FLP7 -DCxxx/2	0706521
FLP7 -DCxxx/2S (with remote contacts)	0706522
FLP7 -DCxxx/0 (spare modules)	0706501

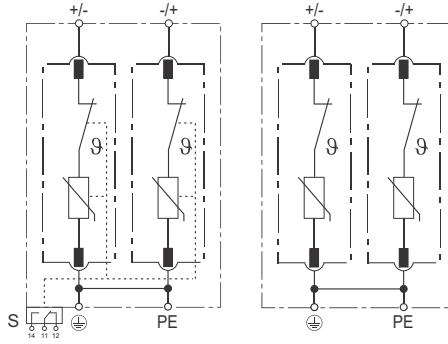


FLP7-DCxxx/2(S)

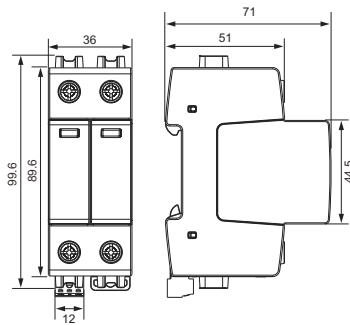
Internal Configuration

Legend

- ⊕/PE PE/G Conductor Terminal
- S Signalling Contacts Optional



Dimensions & Packaging

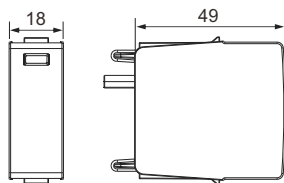


[mm]

Complete Unit

FLP7-DCxxx/2(S)	65
DIN 43880 Dimension	1 CTN
Packaging Dimensions (H x W x L)	[260 × 220 × 330 mm]
Standard Order Quantity	48 Units

Spare Plug



Single Unit

FLP7-DCxxx/0	65
DIN 43880 Dimension	1 CTN
Packaging Dimensions (H x W x L)	[260 × 220 × 330 mm]
Standard Order Quantity	120 Units

Connection Diagram

