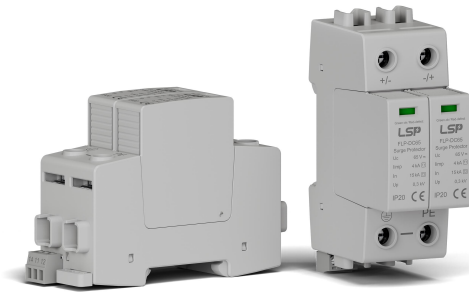


DC Surge Protective Ddevice

FLP-DCxxx/2(S)

Class I • Class II • Type 1 • Type 2



Location of Use: String box, Inverter
 Mode of Protection: (DC+) - PE and (DC-) - PE
 Surge Ratings: $I_{imp} = 4 \text{ kA}$ (10/350 μs)
 $I_n = \text{From } 15 \text{ kA to } 20 \text{ kA}$ (8/20 μs)

IEC/EN Category: Class I+II / Type 1+2

Protective Elements: High Energy MOV

Housing: Pluggable Design

Compliance: IEC/EN 61643-41

Technical Data

FLP-DCxxx/2(S)		65	85
IEC Electrical			
Rated Operational DC Voltage	U_o/U_n	48 Vdc	75 Vdc
Max. PV operating voltage	U_c	65 Vdc	85 Vdc
Residual current - Leakage current at U_c	I_{pe}	< 0.1 mA	
Nominal Discharge Current - 15 x 8/20 μs impulses	I_n	15 kA	20 kA
Maximum Discharge Current Max. withstand 8/20 μs	I_{max}	30 kA	40 kA
Impulse Discharge Current Max. withstand 10/350 μs	I_{imp}	4 kA	
Total lightning current Max. total withstand 10/350 μs	I_{total}	8 kA	
Voltage Protection Level	U_p	0.3 kV	0.39 kV
Response Time	t_A	< 25 ns	
Number of Ports		1	
Mechanical & Environmental			
Operating Temperature Range	T_a	-40 °F to + 158 °F [-40 °C to + 70 °C]	
Permissible Operating Humidity	RH	5%...95%	
Atmospheric pressure and altitude		80k Pa ... 106k Pa / -500 m ... 2000 m	
Terminal Screw Torque	M_{max}	39.9 lbf-in [4.5 Nm]	
Conductor Cross Section (max)		2 AWG (Solid, Stranded) / 4 AWG (Flexible) 35 mm ² (Solid, Stranded) / 25 mm ² (Flexible)	
Mounting		35 mm DIN Rail, EN 60715	
Degree Of Protection		IP 20 (built-in)	
Housing Material		Thermoplastic: Extinguishing Degree UL 94V-0	
Thermal Protection		Yes	
Operating State / Fault Indication		Green ok / Red defect	
Remote Contacts (RC)		Optional	
RC Switching Capacity		AC: 250 V / 0.5 A; DC: 250 V / 0.1 A; 125 V / 0.2 A; 75 V / 0.5 A	
RC Conductor Cross Section (max)		16 AWG (Solid) / 1.5 mm ² (Solid)	
Order Information			
Ordering Code		65	85
FLP-DCxxx/2 (Without remote contacts)		0406521	0408521
FLP-DCxxx/2S (With remote contacts)		0406522	0408522
FLP-DCxxx/0 (Spare modules)		0406501	0408501

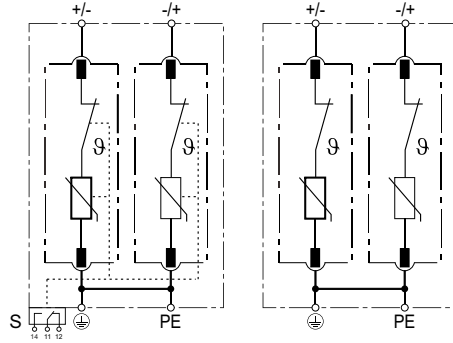


FLP-DCxxx/2(S)

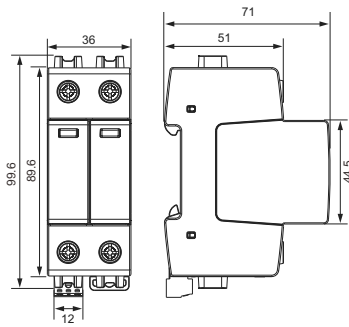
Internal Configuration

Legend

- ⊕/PE PE/G Conductor Terminal
- S Signalling Contacts Optional



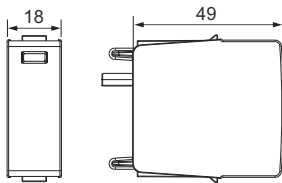
Dimensions & Packaging



[mm]

Complete Unit		
FLP-DCxxx/2(S)	FLP-DC65/2(S)	FLP-DC85/2(S)
DIN 43880 Dimension		1 CTN
Packaging Dimensions (H x W x L)		[260 x 220 x 330 mm]
Standard Order Quantity		48 Units

Spare Plug



Single Unit		
FLP-DCxxx/0	FLP-DC65/0	FLP-DC85/0
DIN 43880 Dimension		1 CTN
Packaging Dimensions (H x W x L)		[260 x 220 x 330 mm]
Standard Order Quantity		120 Units

Connection Diagram

