

Solar Combiner Box

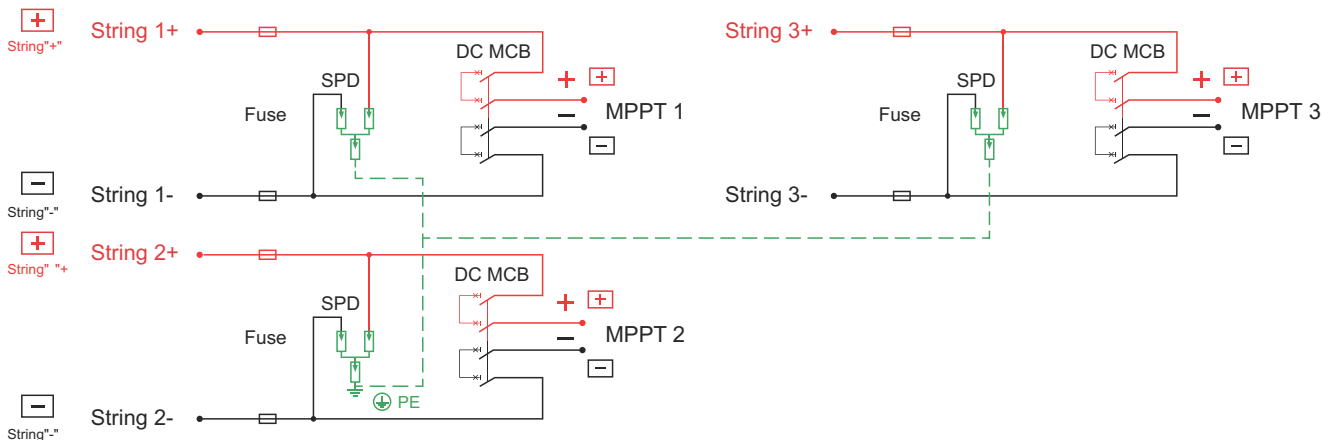
SLP-3/3-1000V

3 Strings Input 3 Strings Output DC



Technical Data

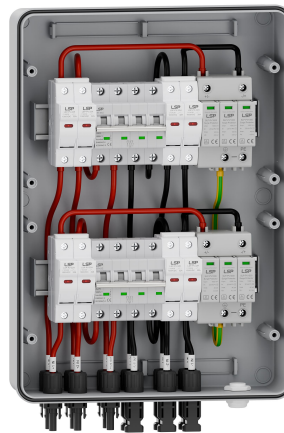
General Data		PV Surge Protector	SLP-PV1000-(S)
Model No.	SLP-3/3-1000V	Max Operation Voltage (Ucpv)	1000V
Input	3 strings	Standard Compliance with	IEC/EN 61643-31
Output	3 strings	Maximum Discharge Current	40 KA
Maximum Voltage	1000V	Certification	TUV CE CB
Max DC Short Circuit Current Per Input (Isc).	16A (Changeable)		
Maximum Current Output	16A		
Enclosure		DC fuse holder	LSP-PV-32
Material Type	Polycarbonate	Thermoplastic	Yes
Degree of Protection	IP65	Rated Working Voltage	1000V
Degree of Resistance to Impacts	IK10	Fuse Link	10x38 mm, 16A
Dimension (WxHxD)	388 x 393 x 120 mm	Certification	CE
Cable input Entry	PG09 Cable Gland, 2.5-16 mm ²		
Output Cable Gland	PG21 2.5-16 mm ²		
DC Circuit Breakers		Environment	
Rated Insulation Voltage (Ui)	1000V	Operating Temperature	-20 °C to +60 °C
Rated Current (Ie)	16A	Humidity	5%...95%
Category	DC-Breaker	Altitude	2000M
Standard Compliance with	IEC 60947-2	Installation	Wall Mounting
Certification	CE		



Solar Combiner Box

SLP-4/2-1000V

4 Strings Input 2 Strings Output DC



Technical Data

General Data		PV Surge Protector	SLP-PV1000-(S)
Model No.	SLP-4/2-1000V	Max Operation Voltage (Uc _{pv})	1000V
Input	4 strings	Standard Compliance with	IEC/EN 61643-31
Output	2 strings	Maximum Discharge Current	40 KA
Maximum Voltage	1000V	Certification	TUV CE CB
Max DC Short Circuit Current Per Input (I _{sc})	16A (Changeable)		
Maximum Current Output	32A		
Enclosure		DC fuse holder	LSP-PV-32
Material Type	Polycarbonate	Thermoplastic	Yes
Degree of Protection	IP65	Rated Working Voltage	1000V
Degree of Resistance to Impacts	IK10	Fuse Link	10x38 mm, 16A
Dimension (WxHxD)	280 x 393 x 120 mm	Certification	CE
Cable input Entry	PG09 Cable Gland, 2.5-16 mm ²		
Output Cable Gland	PG21 2.5-16 mm ²		
DC Circuit Breakers		Environment	
Rated Insulation Voltage (U _i)	1000V	Operating Temperature	-20 °C to +60 °C
Rated Current (I _e)	32A	Humidity	5%...95%
Category	DC-Breaker	Altitude	2000M
Standard Compliance with	IEC 60947-2	Installation	Wall Mounting
Certification	CE		

