

## DC Surge Protective Device

# SLP30-DC65/2(S)

Class II • Type 2



Application of Use: String box, Inverter  
 Protection: (DC+/-) - PE, (DC-/+ ) - PE  
 Surge Ratings:  $I_n = 15 \text{ kA}$  (8/20  $\mu\text{s}$ )  
 $I_{\text{Total}} = 30 \text{ kA}$  (8/20  $\mu\text{s}$ )  
 Protection Category: Class II / Type 2  
 Protective Elements: High Energy MOV  
 Housing: Pluggable Design  
 Compliance: IEC/EN 61643-41

### Technical Data

SLP30-DCxxx/2(S)

65

#### IEC Electrical

Rated Operational DC Voltage	$U_o/U_n$	48 Vdc
Maximum Continuous Operating DC Voltage (DC+) - PE, (DC-) - PE	$U_c$	65 Vdc
Nominal Discharge Current (8/20 $\mu\text{s}$ )	$I_n$	15 kA
Total Discharge Current (8/20 $\mu\text{s}$ )	$I_{\text{total}}$	30 kA
Maximum Discharge Current (8/20 $\mu\text{s}$ )	$I_{\text{max}}$	30 kA
Voltage Protection Level (DC+) - PE, (DC-) - PE	$U_p$	0.3 kV
Residual Current at $U_c$	$I_{\text{PE}}$	< 0.5 mA
Response Time	$t_A$	< 25 ns
Number of Ports		1

#### Mechanical & Environmental

Operating Temperature Range	$T_a$	-40 °F to + 158 °F [-40 °C to + 70 °C]
Permissible Operating Humidity	RH	5%...95%
Atmospheric pressure and altitude		80k Pa ... 106k Pa / -500 m ... 2000 m
Terminal Screw Torque	$M_{\text{max}}$	39.9 lbf-in [4.5 Nm]
Conductor Cross Section (max)		2 AWG (Solid, Stranded) / 4 AWG (Flexible) 35 mm <sup>2</sup> (Solid, Stranded) / 25 mm <sup>2</sup> (Flexible)
Mounting		35 mm DIN Rail, EN 60715
Degree Of Protection		IP 20 (built-in)
Housing Material		Thermoplastic: Extinguishing Degree UL 94V-0
Thermal Protection		Yes
Operating State / Fault Indication		Green ok / Red defect
Remote Contacts (RC)		Optional
RC Switching Capacity		AC: 250 V / 0.5 A; DC: 250 V / 0.1 A; 125 V / 0.2 A; 75 V / 0.5 A
RC Conductor Cross Section (max)		16 AWG (Solid) / 1.5 mm <sup>2</sup> (Solid)

#### Order Information

Ordering Code	65
SLP30-DCxxx/2	3006521
SLP30-DCxxx/2S (With remote contacts)	3006522
SLP30-DCxxx/0 (spare modules)	3006501

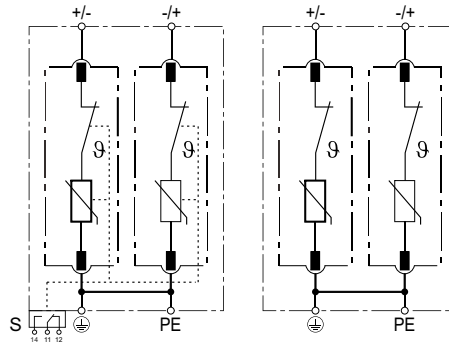


# SLP30-DCxxx/2(S)

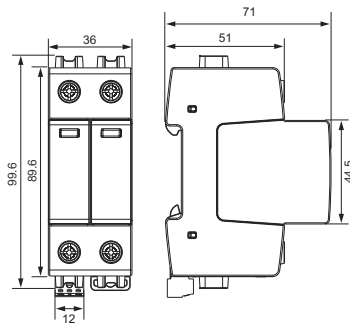
## Internal Configuration

### Legend

- ⊕/PE PE/G Conductor Terminal
- S Signalling Contacts Optional



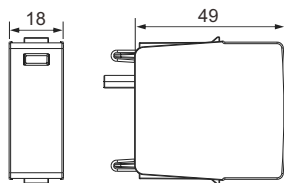
## Dimensions & Packaging



[mm]

Complete Unit	
SLP30-DCxxx/2(S)	65
DIN 43880 Dimension	1 CTN
Packaging Dimensions (H x W x L)	[260 × 220 × 330 mm]
Standard Order Quantity	48 Units

## Spare Plug



Single Unit	
SLP30-DCxxx/0	65
DIN 43880 Dimension	1 CTN
Packaging Dimensions (H x W x L)	[260 × 220 × 330 mm]
Standard Order Quantity	120 Units

## Connection Diagram

