

DC Surge Protective Ddevice

SLP-DCxxx/2(S)

Class II • Type2



Application of Use: String box, Inverter
 Protection: (DC+/-) - PE, (DC-/+) - PE
 Surge Ratings: $I_n = 1 \text{ kA to } 2 \text{ kA (8/20 } \mu\text{s)}$
 $I_{max} = 2 \text{ kA to } 6 \text{ kA (8/20 } \mu\text{s)}$
 IEC Category: Class II / Type 2
 Components: High Energy MOV
 Housing: Pluggable Design
 Compliance: IEC/EN 61643-41

Technical Data

SLP-DCxxx/2(S)

		12	24	48	75	95	110	130
IEC Electrical								
Rated Operational DC Voltage	U_o/U_n	12 Vdc	24 Vdc	48 Vdc	75 Vdc	95 Vdc	110 Vdc	130 Vdc
Maximum Continuous Operating DC Voltage (DC+) - PE, (DC-) - PE	U_c	15 Vdc	30 Vdc	56 Vdc	85 Vdc	110 Vdc	125 Vdc	150 Vdc
Nominal Discharge Current (8/20 μs)	I_n	1 kA	1 kA	2 kA	2 kA	2 kA	2 kA	2 kA
Total Discharge Current (8/20 μs)	I_{total}	2 kA	2 kA	4 kA	4 kA	4 kA	4 kA	4 kA
Maximum Discharge Current (8/20 μs)	I_{max}	2 kA	2 kA	6 kA	6 kA	6 kA	6 kA	6 kA
Voltage Protection Level (DC+) - PE, (DC-) - PE	U_p	85 V	105 V	180 V	250 V	300 kV	350 V	400 V
Residual Current at U_c	I_{PE}				< 0.5 mA			
Response Time	t_A				< 25 ns			
Number of Ports					1			
Mechanical & Environmental								
Operating Temperature Range	T_a				-40 °F to + 158 °F [-40 °C to + 70 °C]			
Permissible Operating Humidity	RH				5%...95%			
Atmospheric pressure and altitude					80k Pa ... 106k Pa / -500 m ... 2000 m			
Terminal Screw Torque	M_{max}				39.9 lbf-in [4.5 Nm]			
Conductor Cross Section (max)					2 AWG (Solid, Stranded) / 4 AWG (Flexible) 35 mm ² (Solid, Stranded) / 25 mm ² (Flexible)			
Mounting					35 mm DIN Rail, EN 60715			
Degree Of Protection					IP 20 (built-in)			
Housing Material					Thermoplastic: Extinguishing Degree UL 94V-0			
Thermal Protection					Yes			
Operating State / Fault Indication					Green ok / Red defect			
Remote Contacts (RC)					Optional			
RC Switching Capacity					AC: 250 V / 0.5 A; DC: 250 V / 0.1 A; 125 V / 0.2 A; 75 V / 0.5 A			
RC Conductor Cross Section (max)					16 AWG (Solid) / 1.5 mm ² (Solid)			
Order Information								
Ordering Code		12	24	48	75	95	110	130
SLP-DCxxx/2		0201221	0202421	0604821	0607521	0609521	0611021	0613021
SLP-DCxxx/2S (With remote contacts)		0201222	0202422	0604822	0607522	0609522	0611022	0613022
SLP-DCxxx/0 (spare modules)		0201201	0202401	0604801	0607501	0609501	0611001	0613001

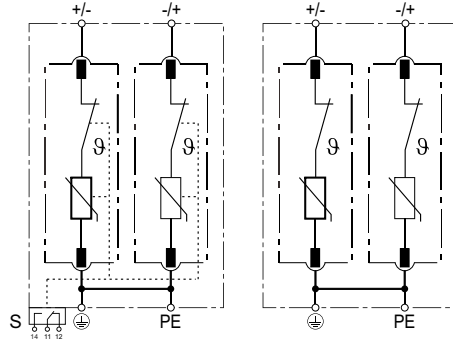


SLP-DCxxx/2(S)

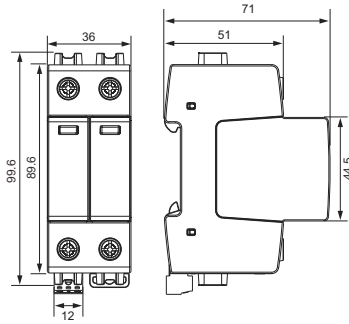
Internal Configuration

Legend

- ⊕/PE PE/G Conductor Terminal
- S Signalling Contacts Optional

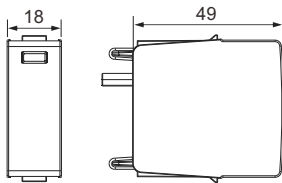


Dimensions & Packaging



Complete Unit							
SLP-DCxxx/2(S)	12	24	48	75	95	110	130
DIN 43880 Dimension	1 CTN						
Packaging Dimensions (H x W x L)	[260 x 220 x 330 mm]						
Standard Order Quantity	48 Units						

Spare Plug



Single Unit							
SLP-DCxxx/0	12	24	48	75	95	110	130
DIN 43880 Dimension	1 CTN						
Packaging Dimensions (H x W x L)	[260 x 220 x 330 mm]						
Standard Order Quantity	120 Units						

Connection Diagram

