

Monoblock Multi-Pole SPD for Photovoltaic Systems

FLP-PVxxxG-(S)

Class I • Class II • Type 1 • Type 2



Location of Use: String box, Inverter
 Mode of Protection: (DC+) - PE, (DC-) - PE, (DC+) - (DC-)
 Surge Ratings: I_{Total} = up to 12.5 kA (10/350 μ s)
 I_{Total} = up to 40 kA (8/20 μ s)
 IEC/EN Category: Class I+II / Type 1+2
 Protective Elements: High Energy MOV and GDT
 Housing: Compact Design
 Compliance: IEC 61643-31:2018
 EN 61643-31:2019

Technical Data

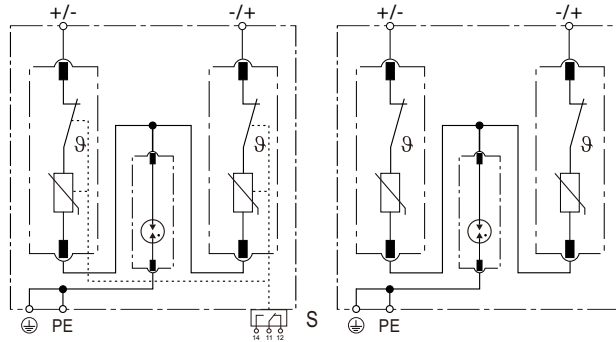
FLP-PVxxxG-(S)		1000	1500	
IEC Electrical				
Maximum Continuous Operating DC Voltage	(DC+) - PE, (DC-) - PE	U_{CPV}	725 V	1100 V
	(DC+) - (DC-)	U_{CPV}	1000 V	1500 V
Nominal Discharge Current (8/20 μ s)		I_n		20 kA
Impulse Discharge Current (10/350 μ s)		I_{imp}		6.25 kA
Specific energy [DC+ -> PE/DC- -> PE]		W/R		9.76 kJ/ohms
Total Discharge Current (10/350 μ s)		I_{Total}		12.5 kA
Specific energy [DC+/DC- -> PE]		I		39.06 kJ/ohms
Total Discharge Current (8/20 μ s)		I_{Total}		40 kA
Maximum Discharge Current (8/20 μ s)		I_{max}		40 kA
Voltage Protection Level	(DC+) - PE, (DC-) - PE	U_p	2500 V	3750 V
	(DC+) - (DC-)	U_p	4750 V	7250 V
Residual Current at U_c		I_{PE}		none
Response Time		t_A		< 25 ns
Short-Circuit Current Rating		I_{SCPv}		2000 A
Number of Ports				1
Mechanical & Environmental				
Operating Temperature Range		T_a		-40 °F to +158 °F [-40 °C to +70 °C]
Permissible Operating Humidity		RH		5%...95%
Atmospheric pressure and altitude				80k Pa ... 106k Pa / -500 m ... 2000 m
Terminal Screw Torque		M_{max}		39.9 lbf-in [4.5 Nm]
Conductor Cross Section (max)				2 AWG (Solid, Stranded) / 4 AWG (Flexible)
				35 mm ² (Solid, Stranded) / 25 mm ² (Flexible)
Mounting				35 mm DIN Rail, EN 60715
Degree Of Protection				IP 20 (built-in)
Housing Material				Thermoplastic: Extinguishing Degree UL 94 V-0
Thermal Protection				Yes
Operating State / Fault Indication				Green ok / Red defect
Remote Contacts (RC)				Optional
RC Switching Capacity				AC: 250V/0.5 A; DC: 250V/0.1 A; 125V/0.2 A; 75V/0.5 A
RC Conductor Cross Section (max)				16 AWG (Solid) / 1.5 mm ² (Solid)
Order Information				
Order Code		1000	1500	
FLP-PVxxxG		0710237	0715233	
FLP-PVxxxG-(S) (with remote contacts)		0710238	0715234	

FLP-PVxxxG-(S)

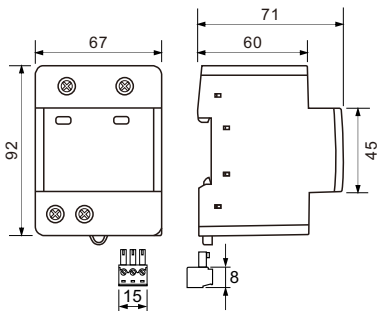
Internal Configuration

Legend

- ⊕/PE Protective Earth
- S Signalling Contacts Optional



Dimensions & Packaging



Dimensions & Packaging

FLP-PVxxxG-(S)	1000	1500
Single Unit DIN 43880 Dimension	1 CTN	
Packaging Dimensions (HxWxL)	[200 x 230 x 320 mm]	
Minimum Order Quantity	16 Units	

inches
[mm]

Connection Diagram

FLP-PVxxxG-S

