

CE INSTALLATION INSTRUCTIONS

LSP PV SPD FLP-PVxxxG Series

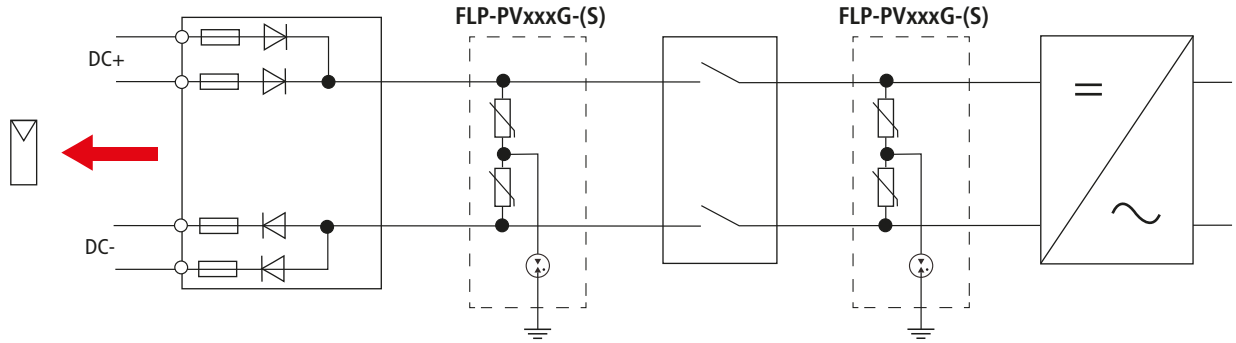
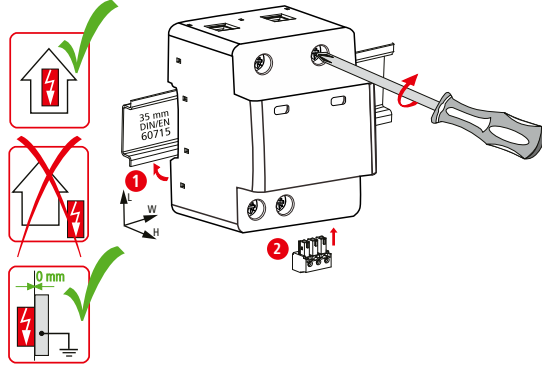


- DE Einbauanleitung
- GB Installation instructions
- IT Istruzioni di montaggio
- FR Instructions de montage
- NL Montagehandleiding
- ES Instrucciones de montaje
- PT Instruções de montagem
- DK Monteringsvejledning
- SE Monteringsanvisning
- FI Asennusohje
- GR Οδηγίες συναρμολόγησης
- PL Instrukcja montażu
- CZ Návod k montáži
- TR Montaj kılavuzu
- RU Инструкция по монтажу
- CN 安装说明
- HU Szerelési útmutató
- JP 設置説明書



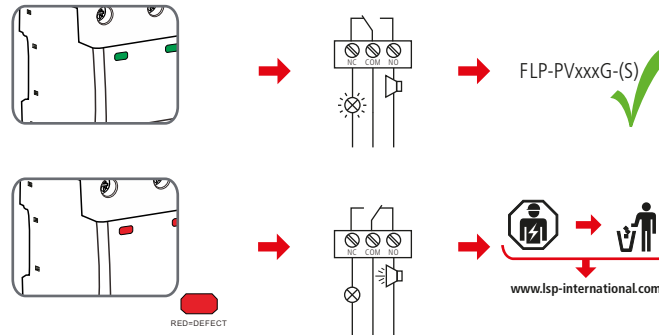
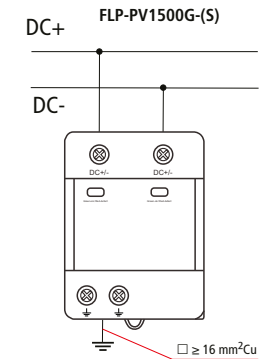
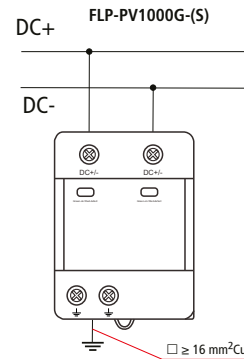
I+II IEC 61643-31...
1+2 EN 61643-31...

Pozidriv® Z2 4 Nm



	FLP-PV1000G(-S)	FLP-PV1500G(-S)
$U_{CPV} (DC+ \leftrightarrow DC-)$	≤ 1000 V DC	≤ 1500 V DC
$U_{CPV} (DC+/DC- \leftrightarrow PE)$	≤ 725 V DC	≤ 1100 V DC
I_n	20 kA (8/20)	20 kA (8/20)
I_{max}	40 kA (8/20)	40 kA (8/20)
I_{imp}	6,25 kA (10/350)	6,25 kA (10/350)
I_{total}	12,5 kA (10/350)	12,5 kA (10/350)
I_{scpv}	2000 A	2000 A
$I_{DE, AC/DC}$	≤ 25 μ A	≤ 25 μ A
θ	-40° C ... $+70^{\circ}$ C	-40° C ... $+70^{\circ}$ C
φ	5% ... 95%	5% ... 95%
IP *)	20	20
failure behavior	open circuit	open circuit
L x W x H	90 mm x 68 mm x 79 mm	

min. □	DC+ / - , DC- / + , \downarrow	12 mm	12 mm	12 mm	1.5 mm ²
max. □	DC+ / - , DC- / + , \downarrow	25 mm ²	35 mm ²		
□		16 mm ² Cu		≤ 15.5 mm	



LSP PV SPD FLP-PVxxxG Series Remote Signalling Contact	
	U_N / I_N AC: 250 V / 0.5 A
	DC: 250 V / 0.1 A 125 V / 0.2 A 75 V / 0.5 A
	0.2 Nm
	max. 1.5 mm ²

